

**Miele**

Installation plan

# Heat pump tumble dryer



PDR 908 HP

It is **essential** to read the operating and installation instructions before installation and commissioning.

This prevents both personal injury and damage to the appliance.

en-AU, NZ

11 276 500/01

---

**Miele Australia Pty. Ltd.**

ACN 005 635 398

ABN 96 005 635 398

**Melbourne:**

1 Gilbert Park Drive

Knoxfield, VIC 3180

Telephone: 1300 731 411

service.prof@miele.com.au

[www.miele-professional.com.au](http://www.miele-professional.com.au)[sales@miele-professional.com.au](mailto:sales@miele-professional.com.au)**Miele New Zealand Limited**

IRD 98 463 631

Level 2, 10 College Hill

Freemans Bay

Auckland 1011

New Zealand

Telephone: 0800 4 MIELE

(0800 464 353)

[www.miele-professional.com.au](http://www.miele-professional.com.au)[sales@miele-professional.com.au](mailto:sales@miele-professional.com.au)**Miele Global Headquarters****Germany**

Carl-Miele-Straße 29

33332 Gütersloh

Federal Republic of Germany

**Legend:**

Connection required

Connection optional or required,  
depending on model

AL Exhaust air

ASK Condensate drain hose

B Appliance anchoring

EL Electrical connection

F Appliance feet, adjustable

KG Payment system

KGA Payment system connection

KLA Cooling air vent

KLZ Cooling air intake

PA Equipotential bonding

SLA Peak load connection

UG Box plinth

UO Open plinth

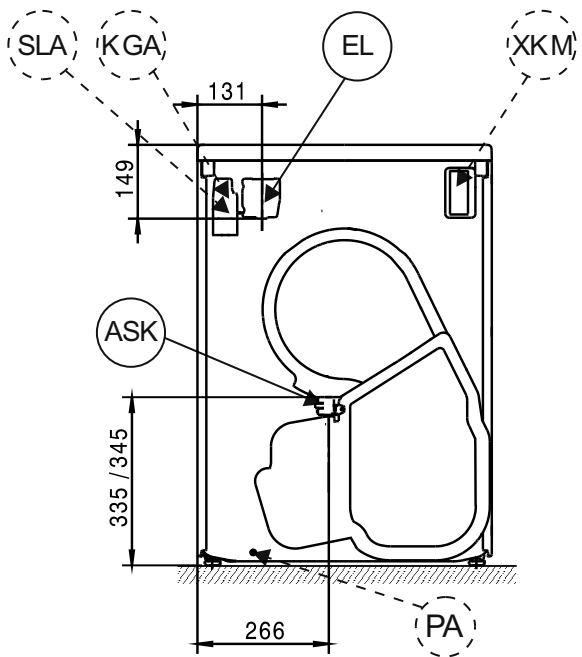
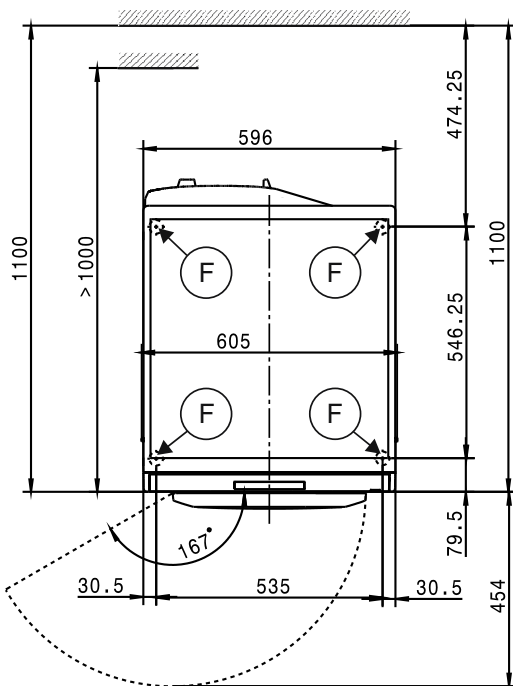
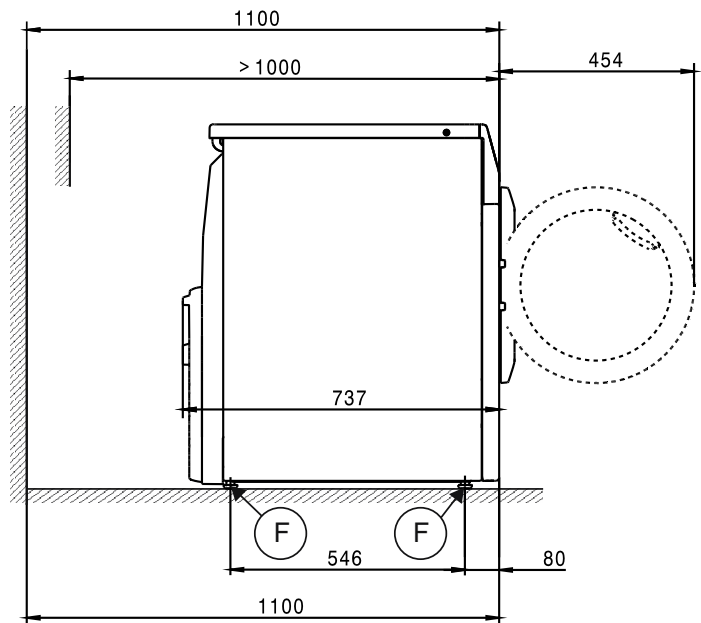
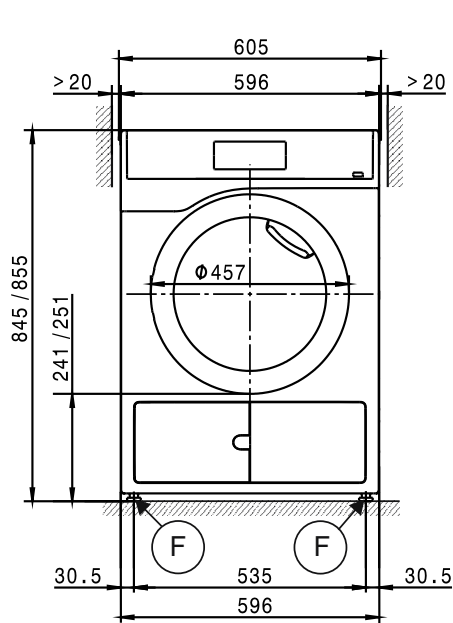
APCL Washer-dryer stacking kit

XKM Communication module

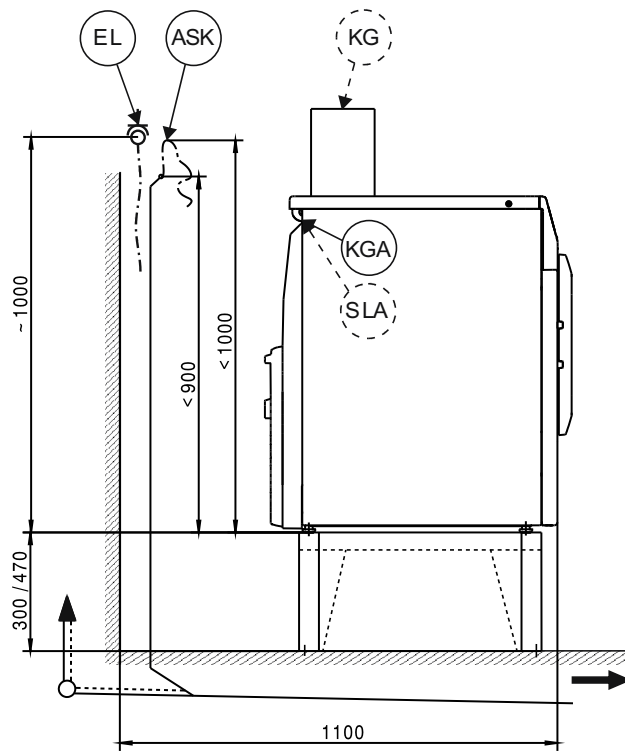
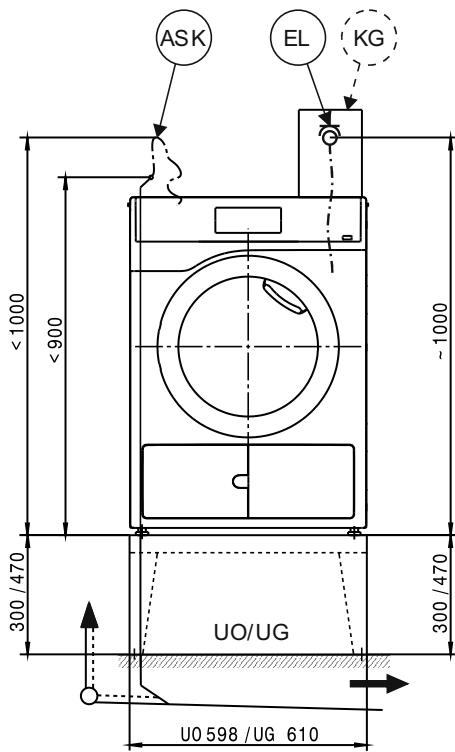
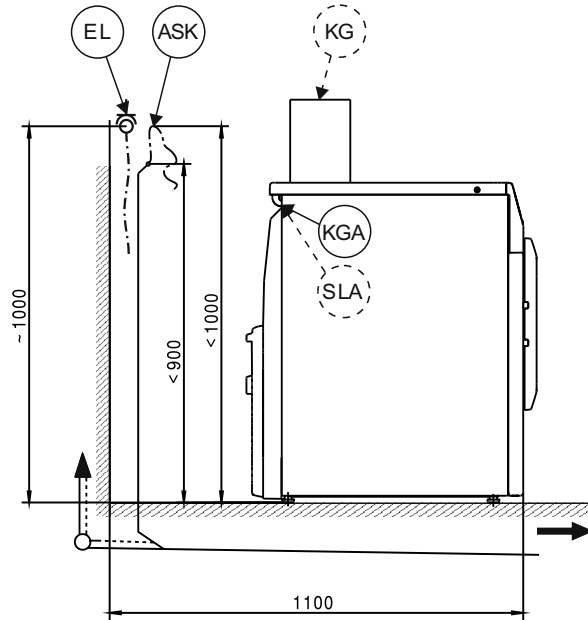
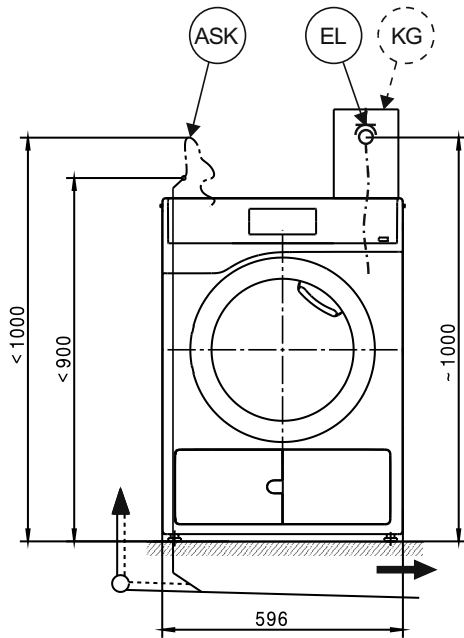
ZL Air intake

Technical changes and errors excepted.12/19

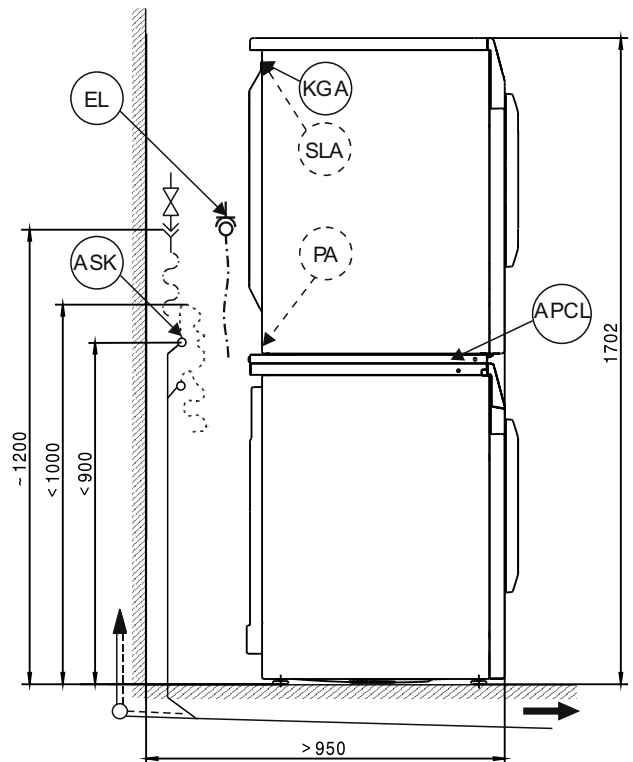
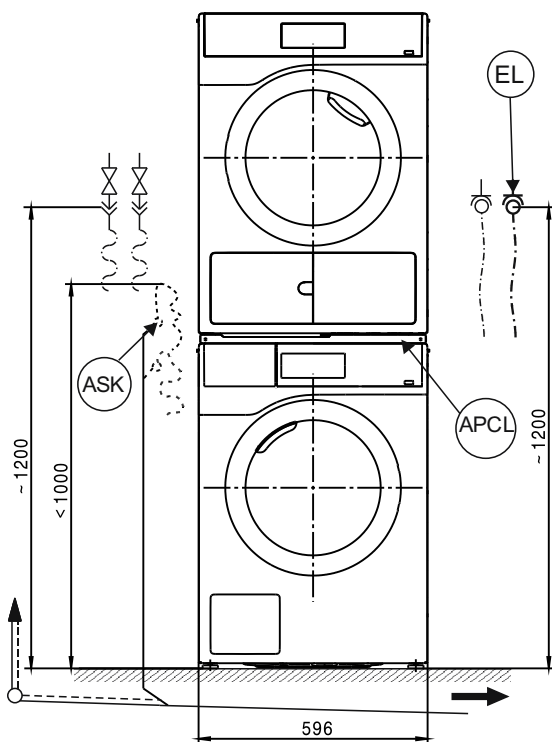
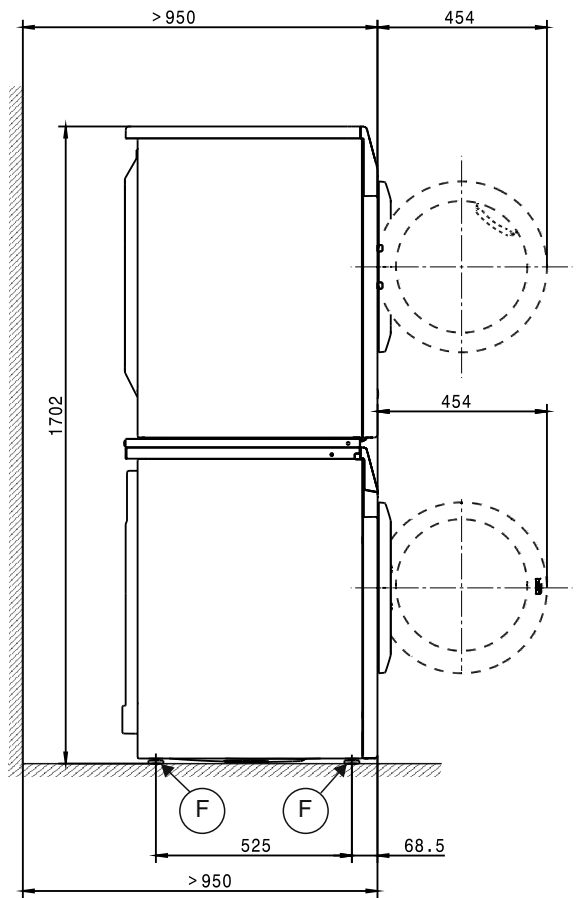
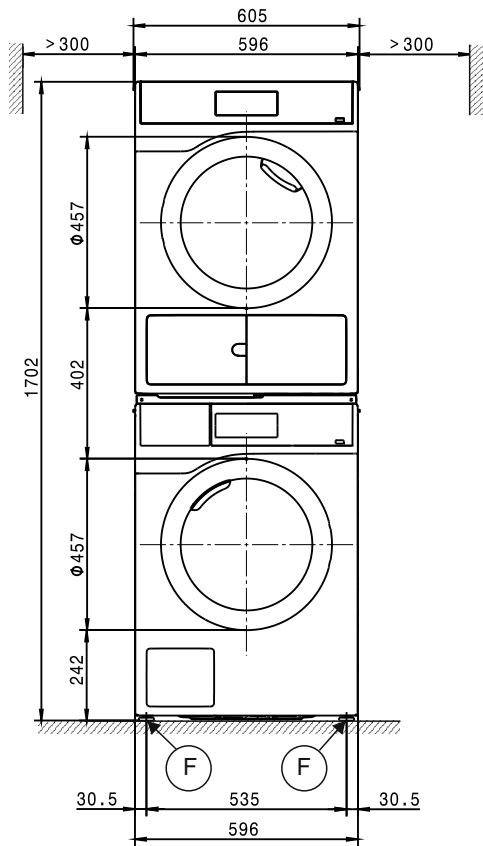
# Appliance dimensions



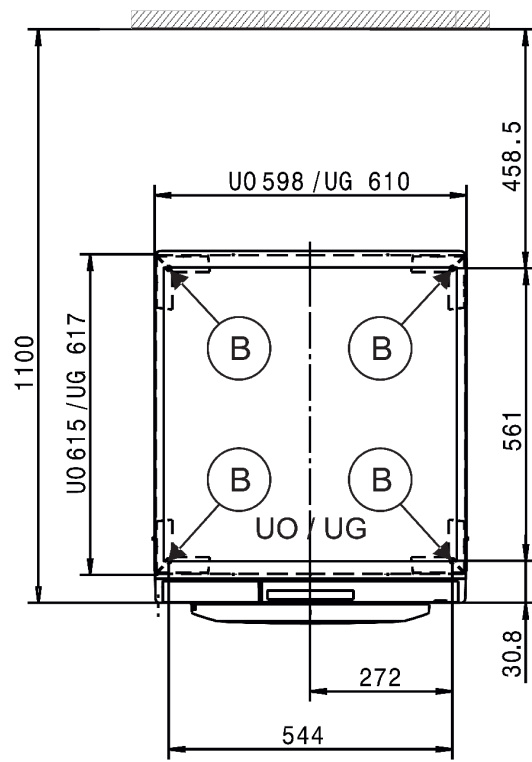
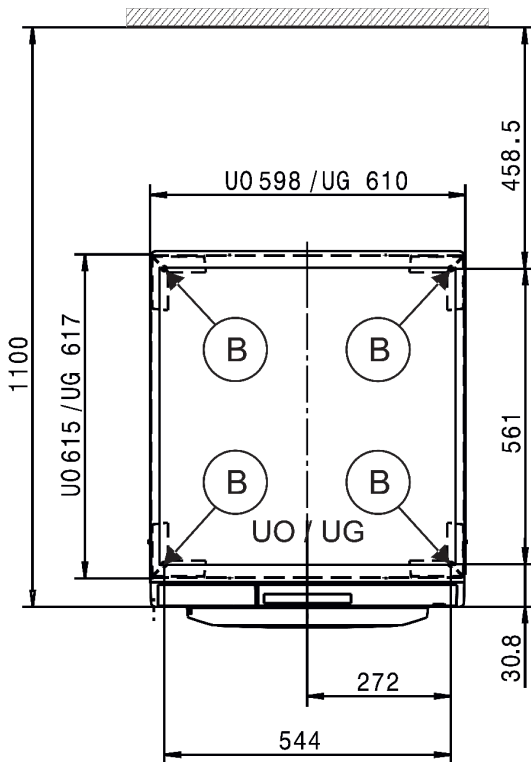
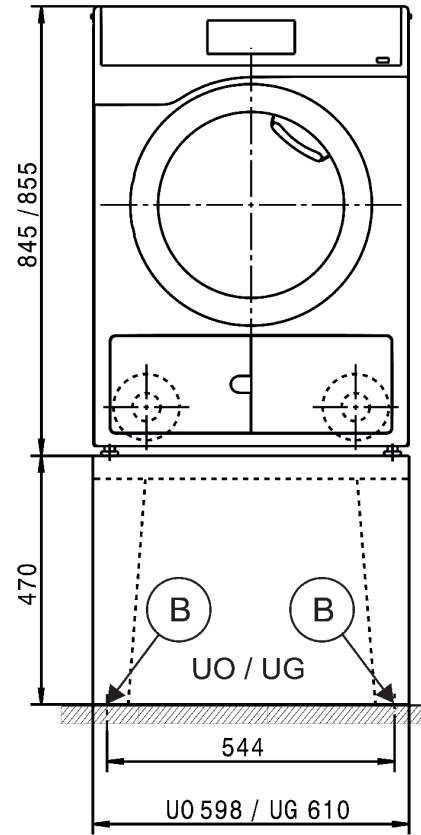
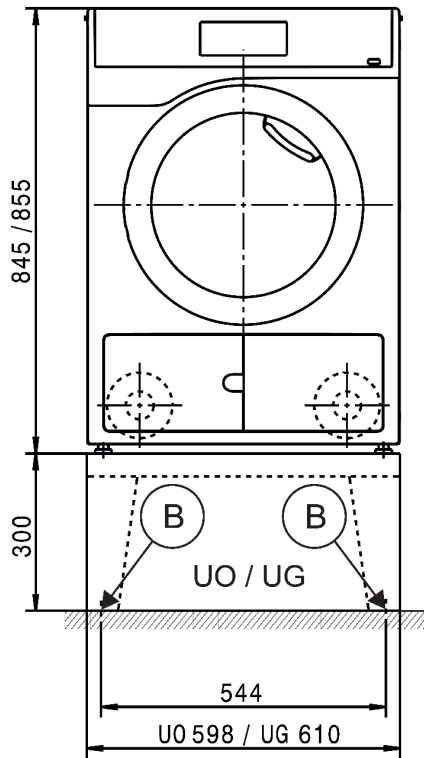
# Installation



# Installation



# Installation



## Technical data

		PDR 908 HP
Drying system		Heat pump
Drum volume	l	130
Load capacity	kg	8.0
Door opening diameter	mm	370

### Electrical connection (EL)

Standard voltage (AU, NZ)		1N AC 230 V
Frequency	Hz	50
Total rated load	kW	1.44
Fuse rating	A	1 x 10
Supply cable min. cross-section	mm <sup>2</sup>	3 x 1.0
Supply cable with plug		●
Length of supply cable	mm	2000

Non-standard voltage MAR 230 (Marine)		1N AC 230 V
Frequency	Hz	60
Total rated load	kW	1.2
Fuse rating	A	1 x 10
Supply cable min. cross-section	mm <sup>2</sup>	3 x 1.5
Supply cable with plug		●
Length of supply cable	mm	2000

### Condensate drain hose (ASK)

Max. drainage temperature	°C	70
Max. transient flow rate	l/min	3.6
On-site hose sleeve for drain hose	mm	10 x 30
Drain hose (internal diameter)	mm	10 (DN10)
Length of drain hose	mm	1500
Max. delivery head (from lower edge of machine)	mm	1000

### Equipotential bonding (PA)

Appliance connection (separate kit required)		○
--	--	---

### XCI box LG interface

		●
--	--	---

### Peak load/energy management (SLA)

Appliance connection (with XCI box LG)		○
--	--	---

### Payment system connection (KGA)

Connection of payment systems (with XCI box LG)		○
---	--	---

### Communication module (XKM)

Communication module XKM 3200 WL PLT		○
--------------------------------------	--	---

### Installation on appliance feet (F)

No. of appliance feet	No.	4
Appliance foot, height-adjustable with thread	mm	± 5
Appliance foot diameter	mm	31.7

### Anchoring (B)

Anchoring of Miele plinths		
Miele plinth installation (fasteners included)		○
Required anchor points	No.	4
Wood screws according to DIN 571	mm	8 x 65
Wall plugs (diameter x length)	mm	12 x 60

### Plinth floor anchoring (to be provided on site)

Appliance installation on on-site base (concrete or masonry)		○
Min. plinth installation footprint (W/D)	mm	600/650
Wood screws according to DIN 571	mm	6 x 50
Wall plugs (diameter x length)	mm	8 x 40

● = standard, ○ = optional, + = only on request, - not available

# Technical data

**PDR 908 HP**

**Appliance data**

Overall appliance dimensions (H/W/D)	mm	850/605/777
Casing dimensions (H/W/D)	mm	850/596/737

**Site-access dimensions (H/W)**

Min. site-access opening (excl. packaging)	mm	900/605
--	----	---------

**Installation dimensions**

Min. side gap	mm	20
Recommended side gap – washer-dryer stack	mm	300
Min. distance to opposite wall from appliance front	mm	950
Recommended distance to opposite wall from appliance front	mm	1100

**Weights and floor loads**

Appliance weight (net weight)	kg	73
Max. floor load in operation	N	925

**Emissions**

Sound pressure level (in accordance with EN ISO 11204/11203)	dB(A)	<70
Heat dissipation rate to installation site	W	950

● = standard, ○ = optional, + = only on request, - not available



# Installation and planning notes

## Installation requirements

The tumble dryer should only be connected to a power supply provided in accordance with all applicable local and national legislation and regulations.

In addition, all regulations issued by the appropriate utilities as well as standards relating to occupational safety and all applicable valid regulations and technical standards must be observed.

## General operating conditions

Ambient temperature in installation room: +2 °C to +35 °C.

Air drawn in for use in the drying process will be warm when it is expelled back into the room by the tumble dryer. You must therefore ensure that the room is sufficiently ventilated, particularly if the appliance is located in a small room.

Make sure that the room temperature is not too high. If there are other heat producing appliances in the room in which the dryer is located, make sure the room is well ventilated and switch the other appliances off, if possible.

Otherwise running times and energy consumption could be increased.

## Electrical connection

This tumble dryer is supplied with a mains cable with moulded plug.

The appliance may only be connected to an electrical system that conforms to the national and local codes and regulations.

Do not connect the machine via an extension lead or power board. They do not guarantee the required safety of the appliance (e.g. danger of overheating and fire).

The data plate indicates the nominal power consumption and the appropriate fuse rating. Compare the specifications on the data plate with those of the electrical power supply.

If the appliance is hard wired, an all-pole disconnection must be provided on site. When switched off, there must be an all-pole contact gap of at least 3 mm in the isolator switch (including circuit breakers, fuses, and relays according to AS/NZS 3000).

The plug connector or isolator switch should be easily accessible at all times. If the appliance is disconnected from the electricity supply, the isolator must be lockable or the point of disconnection must be monitored at all times.

New connections, modifications to the system or servicing of the earthing conductor, including determining the correct fuse amperage, must be carried out by a qualified electrician, as they are familiar with the pertinent regulations and the specific requirements of the electric utility company.

References to cable cross-sections in the technical data refer only to the required mains cable. Please consult relevant local and national regulations when calculating any other wire gauges.

## Condensate drain hose

The condensed water is pumped away through the drain hose which is located at the back of the dryer.

The condensate is drained via a drain pump with a 1 m delivery head. For the water to drain freely, the hose must be free of kinks. The swivel elbow at the end of the hose can be turned in either direction or removed as needed.

In certain situations, this tumble dryer must be fitted with a non-return valve (optional accessory). Without a non-return valve, water could flow back into the tumble dryer or be drawn back in and leak out. This can cause damage.

## Drainage options:

1. **Connected securely to a trapped waste pipe.**  
Use a non-return valve if the end of the hose could possibly become submerged in water.
2. **Connected to a laundry trough or wash tub drain outlet.**  
Always use a non-return valve.
3. **Connected to a floor drain (gully).**  
Always use a non-return valve.
4. **Connected over the rim of a laundry trough or wash tub.**  
Secure the drain hose carefully (e.g. by tying it) to make sure it cannot slip. Otherwise water may escape and cause damage. Use a non-return valve if the end of the hose could possibly become submerged in water.

## Equipotential bonding

If necessary, equipotential bonding with good galvanic contact must be guaranteed in compliance with all applicable local and national installation specifications.

Connection material for equipotential bonding must be provided on site or using a kit available from Miele.

## Peak load/energy management

The tumble dryer can be connected to a peak load or energy management system using an optional kit.

When the peak load function is activated, the heating is deactivated. A message appears in the display to inform you of this.

The programme is resumed automatically when the peak load system reactivates the heating.

## Payment system

The tumble dryer can be fitted with a single-machine payment system as an optional accessory using an optional kit (XCI box).

The programming required for connecting a payment system can be carried out during the initial commissioning process. After initial commissioning, changes may only be made by your Miele dealer or by Miele Professional Service.

## Interface

The tumble dryer can be retrofitted with an XKM 3200 WL PLT communication module.

This module can be used as a Wi-Fi or LAN interface.

The LAN interface provided via the module complies with AS/NZS 60950. The LAN connection uses a RJ45 connector in accordance with EIA/TIA 568-B.

**Installation and anchoring**

The machine must be installed on a perfectly smooth, level and firm surface which is able to withstand the quoted loads.

The floor load created by the machine is concentrated and transferred to the installation footprint via the machine feet.

The tumble dryer should be levelled in both directions with the aid of the adjustable feet.

**Plinth installation**

The tumble dryer can be installed on a plinth (open or box plinth, available as an optional Miele accessory) or on a concrete plinth to be provided on site.

The quality of the concrete and its strength must be assessed according to the machine load. Ensure that any raised concrete plinth is adequately bonded to the floor below.

**Washer-dryer stack**

The tumble dryer can be installed as a washer-dryer stack together with a Miele washing machine. A stacking kit (optional accessory) is required for this.

The stacking kit must be installed by Miele Professional Service or an authorised Miele service technician.