

## Safety instructions for installation



Damage from falling objects.

Take care not to damage the SmartLine appliance when fitting wall units or a rangehood above it.

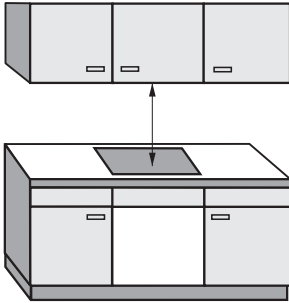
Fit the wall units and the rangehood before the SmartLine appliance.

- ▶ The room in which the SmartLine appliance is installed must conform to all relevant local and national building regulations and safety regulations.  
In Australia and New Zealand, gas installations must be in accordance with AS/NZS 5601.
- ▶ The veneer or laminate coatings of worktops (or adjacent kitchen units) must be treated with 100 °C heat-resistant adhesive which will not dissolve or distort. Any splashbacks must be of heat-resistant material.
- ▶ An electric fryer must not be installed directly next to a gas cooktop as the gas flames could ignite the fat in the fryer. It is essential to maintain a distance of at least 288 mm between these two appliances.
- ▶ The SmartLine appliance must not be installed over a fridge, fridge-freezer, freezer, dishwasher, washing machine, washer-dryer or tumble dryer.
- ▶ When installing the SmartLine appliance, make sure that the gas pipe and mains connection cable cannot come into contact with hot appliance parts.
- ▶ The mains connection cable and any flexible gas connection pipes must be installed in such a way so that they do not come into contact with any moving kitchen parts (e.g. a drawer) after the SmartLine appliance has been installed, and that they cannot be subjected to any mechanical action which could cause damage.
- ▶ Carefully observe the safety clearances listed on the following pages.

# Installation

## Safety distances

### Safety distance above the SmartLine



A minimum safety distance must be maintained between the SmartLine and the rangehood above it. See the rangehood manufacturer's operating and installation instructions for details.

If the manufacturer's instructions are not available for the rangehood, a minimum safety distance as per AS/NZS 5601.1 must be maintained.

For any flammable objects, e.g. utensil rails, wall units etc., a minimum safety distance of 600 mm must be maintained between these objects and the highest part of the SmartLine below.

When two or more appliances which have different safety distances are installed together below a rangehood, you should observe the greatest safety distance.

## Clearance underneath the appliance

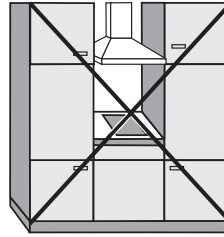
A minimum safety clearance of 30 mm must be provided underneath the appliance.

Please note that clearance must also be provided for the installation of the flexible gas connection hose and mains electrical cable if the appliance is to be installed above a closed surface (e.g. an oven).

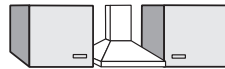
**Safety distances to the sides and back of the appliance**

Ideally the appliance should be installed with plenty of space on either side.

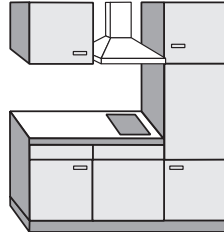
There may be a wall at the rear and a tall unit or wall on one side (right or left). On the other side, however, no tall unit or wall should stand higher than the appliance. Before installing the appliance, check that the location provides the required clearances from combustible material and, if necessary, provide protection to adjacent surfaces as required by regulations.



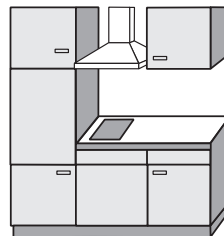
Not allowed



Recommended



Not recommended



Not recommended

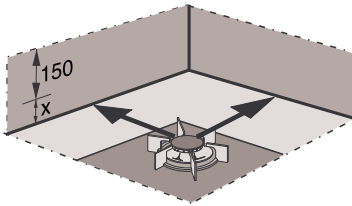
## Installation

---

A gas appliance shall be installed such that the surface temperature of any nearby combustible surface\* will not exceed 65 °C above ambient.

The minimum clearance from a combustible surface shall be a 200 mm horizontal distance from the periphery of any gas burner (AS/NZS 5601.1).

If that horizontal clearance is less than 200 mm, that vertical surface must be protected by a non-combustible material for 150 mm above the top of the edge of the nearest burner for the full dimension of the cooktop (depth, width).

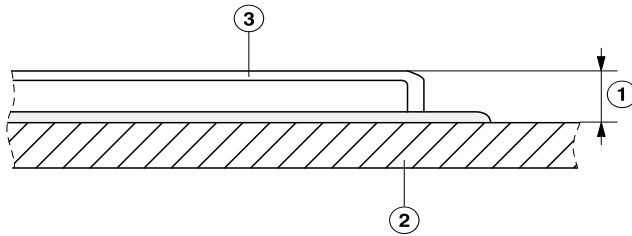


X Height from worktop surface to the top of the edge of the burner

The shown area indicates the protected surface, which may be ceramic tiles or other approved material.

\*Combustible surface:

A material which will ignite and burn, and includes material which has been flameproofed.

**Detailed dimensions****Height of pan supports above the worktop surface**

- ① Vertical distance
- ② Worktop surface
- ③ Pan support

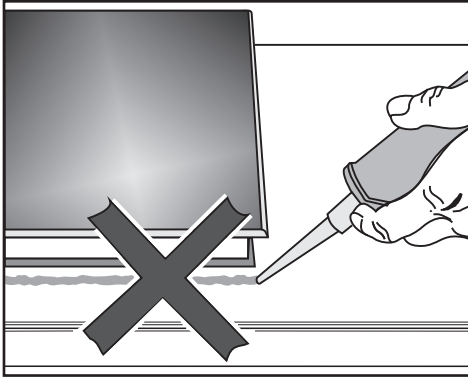
The vertical distance ① from the top of the pan supports to the surface of the worktop is 37 mm.

# Installation

## Surface-mounted

### Installation notes – surface-mounted

#### Sealing between the SmartLine appliance and the worktop

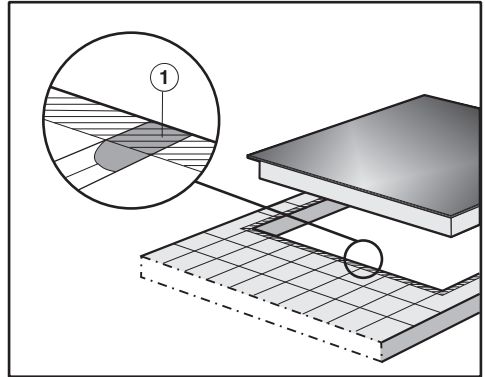


The SmartLine appliance and worktop may be damaged if the appliance needs to be removed after it has been sealed with a sealant.

Do not use any sealant between the SmartLine appliance and the worktop.

The sealing strip under the edge of the top part of the appliance provides a sufficient seal for the worktop.

## Tiled worktop



Grout lines ① and the hatched area underneath the SmartLine appliance frame must be smooth and even. If they are not, the SmartLine appliance will not sit flush with the worktop and the sealing strip underneath the top part of the appliance will not provide a good seal between the appliance and the worktop.

### Sealing strip

Dismantling the SmartLine appliance for service purposes may damage the sealing strip underneath the edge of the SmartLine appliance.

Always replace the sealing strip before reinstalling the cooktop.

**Installing several  
SmartLine appliances**

The gaps between the individual SmartLine appliances must be sealed with a silicone sealant that is heat-resistant to at least 160 °C. With flush-fit installation, the gap between the SmartLine appliance(s) and the worktop must also be sealed with a silicone sealant that is heat-resistant to at least 160 °C.

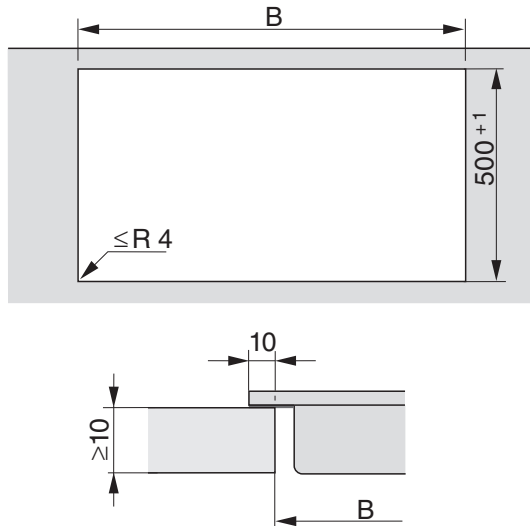
After installation, the SmartLine appliances must be easily accessible from below, so that the bottom half of the casing can be removed for maintenance. If the SmartLine appliances are not accessible from below, the sealant must be removed so that they can be removed.

**Combination with a downdraft  
extractor**

If the SmartLine appliance is installed in combination with a downdraft extractor, the latter must be installed first.

# Installation

## Worktop cut-out – surface-mounted



### Information for calculating the cut-out

The appliances overlap the worktop by 10 mm.

When installing several appliances, a distance of 2 mm must be observed between the individual appliances.

#### Calculating cut-out dimension **B**




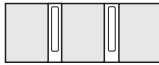



1 appliance = width of the appliance minus 10 mm on the right, minus 10 mm on the left

Several appliances = total width of the appliances plus 2 mm distance between the appliances, minus 10 mm on the right, minus 10 mm on the left.

Some examples are illustrated below.









**Installation with a downdraft extractor**

Sample combinations	Number x width [mm]		Dimension B [mm]
	Cooking appliances	Downdraft extractor	
	1 x 378	1 x 120	480 <sup>+1</sup>
	2 x 378	1 x 120	860 <sup>+1</sup>
	1 x 378 1 x 620	2 x 120	1224 <sup>+1</sup>
	3 x 378	2 x 120	1362 <sup>+1</sup>
	2 x 378 1 x 620	2 x 120	1604 <sup>+1</sup>
	4 x 378	2 x 120	1742 <sup>+1</sup>
	1 x 620	2 x 120	844 <sup>+1</sup>

# Installation

## Installation without a downdraft extractor

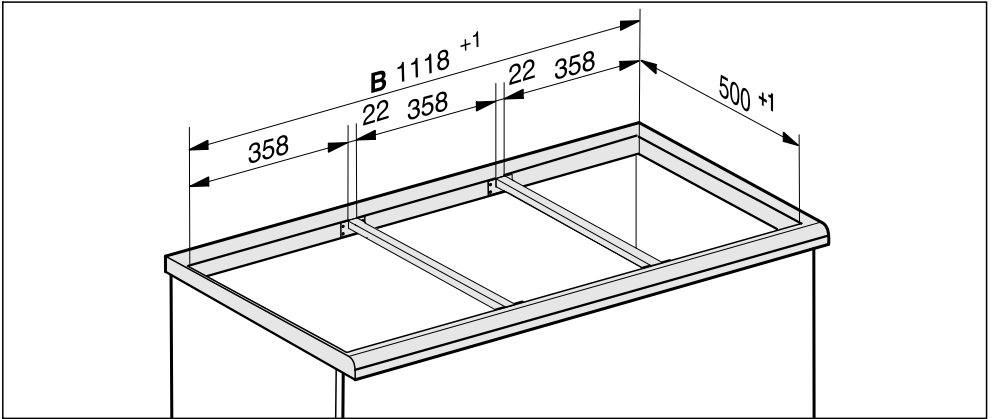
Sample combinations	Number x width [mm] Cooking appliances	Dimension B [mm]
	1 x 378	358 <sup>+1</sup>
	2 x 378	738 <sup>+1</sup>
	1 x 378 1 x 620	980 <sup>+1</sup>
	3 x 378	1118 <sup>+1</sup>
	2 x 378 1 x 620	1360 <sup>+1</sup>
	4 x 378	1498 <sup>+1</sup>

**Spacer bars – surface-mounted**

When installing several SmartLine appliances, an additional spacer bar must be fitted in between the individual appliances.

The clips supplied with the spacer bars are only required for installing a CSDA 700x FL.

Installing 3 appliances and 2 spacer bars

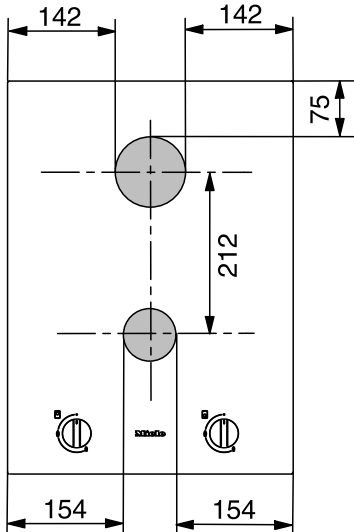


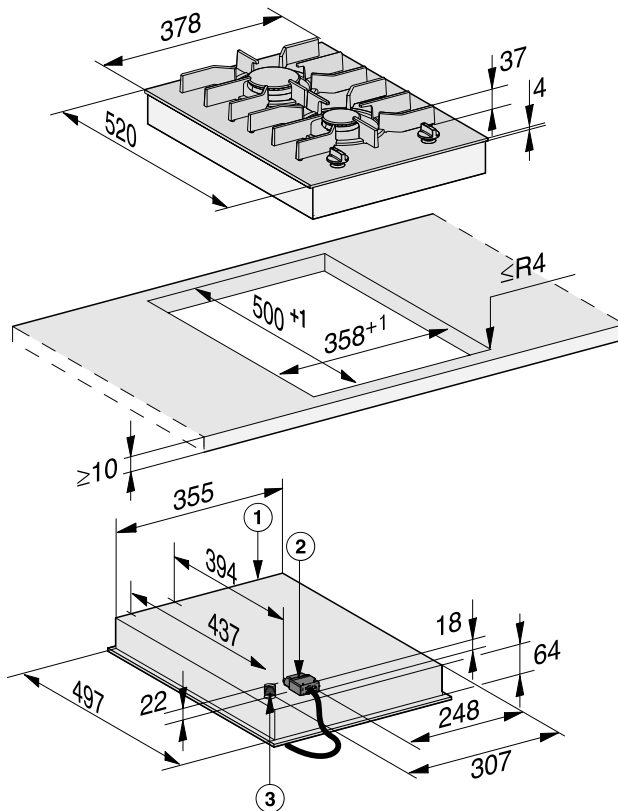
# Installation

## Installation dimensions – Surface-mounted

All dimensions in this instruction booklet are given in mm.

### Distances from burner to the edge of the appliance





① Front

② Mains connection box with mains connection cable, L = 2000 mm

③ Gas connection R ½ ISO 7-1 (DIN EN 10226)

# Installation

## Installation – surface-mounted

### Preparing the worktop

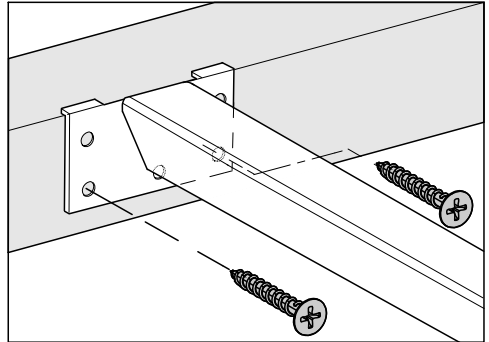
- Create the worktop cut-out.  
Remember to maintain the minimum safety distances (see "Installation – Safety distances").
- Seal the cut surfaces of **wooden worktops** with a suitable sealant to avoid swelling caused by moisture. The sealant must be heat-resistant.

Make sure the sealant does not come into contact with the top surface of the worktop.

### Fitting the spacer bars

Use the middle screw holes if one of the following SmartLine appliances is installed to the right or left of the spacer bar: CS 7611, CS 7641, CS 7101(-1), CS 7102(-1)

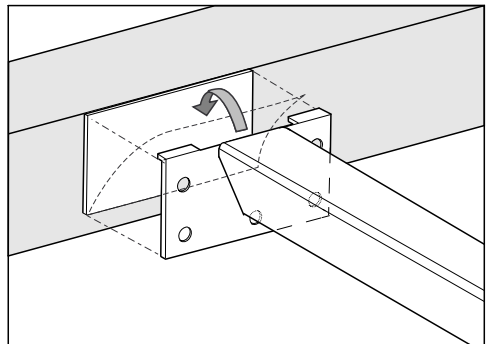
### Wooden worktops



- Position the spacer bars flush onto the upper edge of the cut-out.
- Secure the spacer bars with the 3.5 x 25 mm wood screws supplied.

### Granite and marble worktops

You will need heavy-duty double-sided tape (not supplied) to secure the spacer bars.



- Stick the tape along the top edge of the worktop cut-out.
- Position the spacer bars flush onto the upper edge of the cut-out.
- Press the spacer bars firmly into place.

## Installing the SmartLine appliance

- Stick the supplied sealing strip under the edge of the SmartLine appliance. Do not apply the sealing strip under tension.
- Feed the mains connection cable down through the worktop cut-out.
- Position the SmartLine appliance in the worktop cut-out. When doing this, make sure that the seal of the appliance sits flush with the worktop on all sides. This is important to ensure an effective seal with the worktop.
- If the seal does not meet the worktop correctly on the corners, carefully scribe the corner radii ( $\leq R4$ ) with a jigsaw.

Do not use any additional sealant (e.g. silicone) on the SmartLine appliance.

- Connect the SmartLine appliance to the mains electrical supply.
- If required, connect the SmartLine appliance to the gas supply (see “Installation – Gas connection”).
- Check that the SmartLine appliance works.
- Seal the gaps between the individual appliances with a silicone sealant that is heat-resistant to at least 160 °C.

Unsuitable sealant can damage natural stone.

For natural stone worktops and natural stone tiles, only use silicone sealant that is specially formulated for natural stone. Please follow the manufacturer's instructions.

## Checking operation

- After installation, ignite all burners to check that they are operating correctly:
  - The flame must not go out on the lowest setting, or when the control is turned quickly from the highest to the lowest setting.
  - On the highest setting, the flame must have a distinctive and visible core.

# Installation

---

## Flush-fit

### Installation notes – flush-fit

Flush-fit installation is only possible in natural stone (granite, marble), solid wood and tiled worktops. For installation in worktops made of other materials, please consult the relevant manufacturer as to whether their worktops are suitable for flush-fit installation.

The internal width of the base unit underneath the appliance must be at least as wide as the inner worktop cut-out (see “Installation – Installation dimensions – Flush”), so that the SmartLine appliance is easily accessible from underneath after installation and the bottom half of the casing can be removed for maintenance. If the appliance is not freely accessible from below after installation, the sealant must be removed so that the appliance can be removed.

## Natural stone worktops

The SmartLine appliance is set directly in the cut-out.

## Solid wood worktops, tiled worktops, glass worktops

The SmartLine appliance is set on a wooden frame inside the cut-out. The frame must be provided on site and is not supplied with the appliance.

## Sealing strip

Dismantling the SmartLine appliance for service purposes may damage the sealing strip underneath the edge of the SmartLine appliance.

Always replace the sealing strip before reinstalling the cooktop.



**Installing several  
SmartLine appliances**

The gaps between the individual SmartLine appliances must be sealed with a silicone sealant that is heat-resistant to at least 160 °C. With flush-fit installation, the gap between the SmartLine appliance(s) and the worktop must also be sealed with a silicone sealant that is heat-resistant to at least 160 °C.

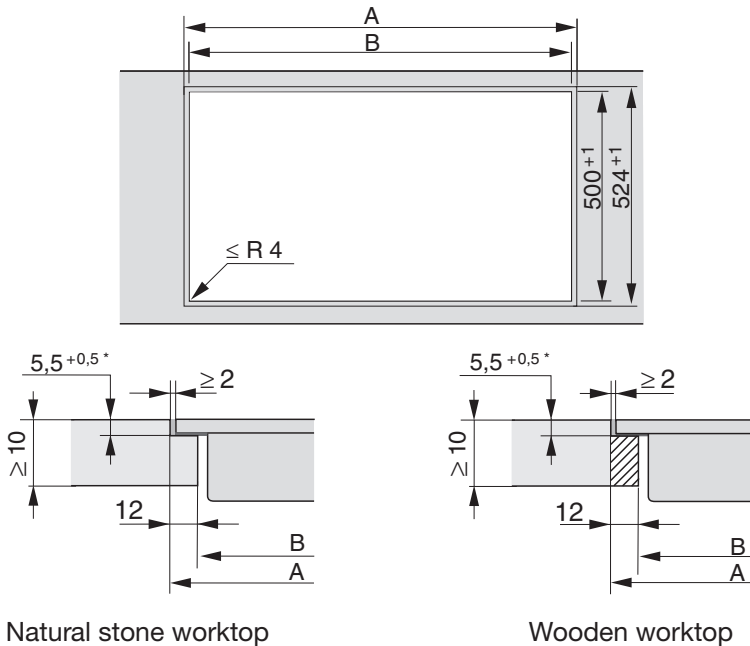
After installation, the SmartLine appliances must be easily accessible from below, so that the bottom half of the casing can be removed for maintenance. If the SmartLine appliances are not accessible from below, the sealant must be removed so that they can be removed.

**Combination with a downdraft  
extractor**

If the SmartLine appliance is installed in combination with a downdraft extractor, the latter must be installed first.

# Installation

## Worktop cut-out – flush-fit



\*  $7^{+0.5}$  mm with CS 7611 FL

### Information for calculating the cut-out

The appliances overlap the stepped cut-out by 10 mm.

When installing several appliances, a distance of 2 mm must be observed between the individual appliances.

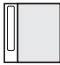
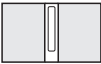





#### Calculating cut-out dimension **A**

1 appliance = width of the appliance plus 2 mm on the right, plus 2 mm on the left.  
 Several appliances = total width of the appliances plus 2 mm distance between the appliances, plus 2 mm on the right, plus 2 mm on the left

Calculating cut-out dimension **B** = cut-out dimension A minus 12 mm on the right, minus 12 mm on the left.







Some examples are illustrated below.

## Installation with a downdraft extractor

Sample combinations	Number x width [mm]		Dimension A [mm]	Dimension B [mm]
	Cooking appliances	Downdraft extractor		
	1 x 378	1 x 120	504 <sup>+1</sup>	480 <sup>+1</sup>
	2 x 378	1 x 120	884 <sup>+1</sup>	860 <sup>+1</sup>
	1 x 378 1 x 620	2 x 120	1248 <sup>+1</sup>	1224 <sup>+1</sup>
	3 x 378	2 x 120	1386 <sup>+1</sup>	1362 <sup>+1</sup>
	2 x 378 1 x 620	2 x 120	1628 <sup>+1</sup>	1604 <sup>+1</sup>
	4 x 378	2 x 120	1766 <sup>+1</sup>	1742 <sup>+1</sup>
	1 x 620	2 x 120	868 <sup>+1</sup>	844 <sup>+1</sup>

# Installation

## Installation without a downdraft extractor

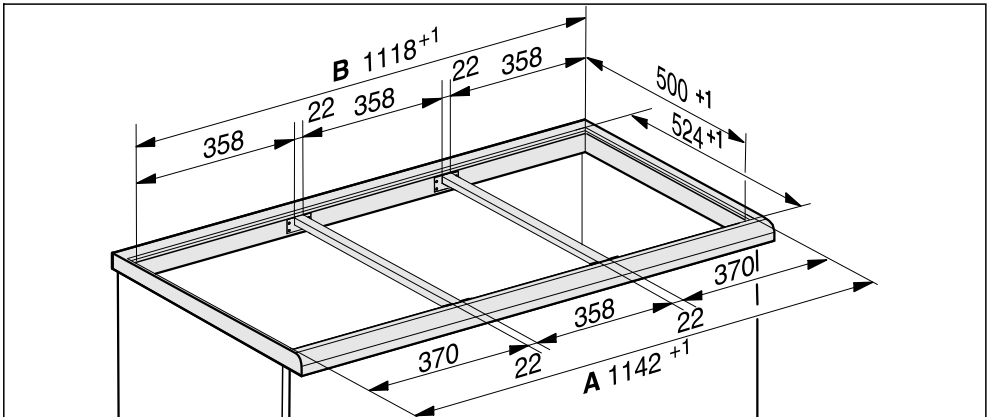
Sample combinations	Number x width [mm] Cooking appliances	Dimension A [mm]	Dimension B [mm]
	1 x 378	382 <sup>+1</sup>	358 <sup>+1</sup>
	2 x 378	762 <sup>+1</sup>	738 <sup>+1</sup>
	1 x 378 1 x 620	1004 <sup>+1</sup>	980 <sup>+1</sup>
	3 x 378	1142 <sup>+1</sup>	1118 <sup>+1</sup>
	2 x 378 1 x 620	1384 <sup>+1</sup>	1360 <sup>+1</sup>
	4 x 378	1522 <sup>+1</sup>	1498 <sup>+1</sup>

**Spacer bars – flush-fit**

When installing several SmartLine appliances, an additional spacer bar must be fitted in between the individual appliances.

The clips supplied with the spacer bars are only required for installing a CSDA 700x FL.

Installing 3 appliances and 2 spacer bars



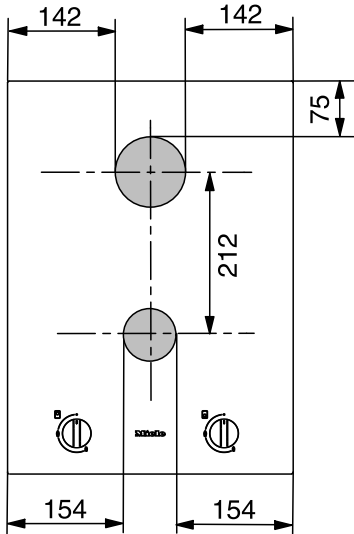
# Installation

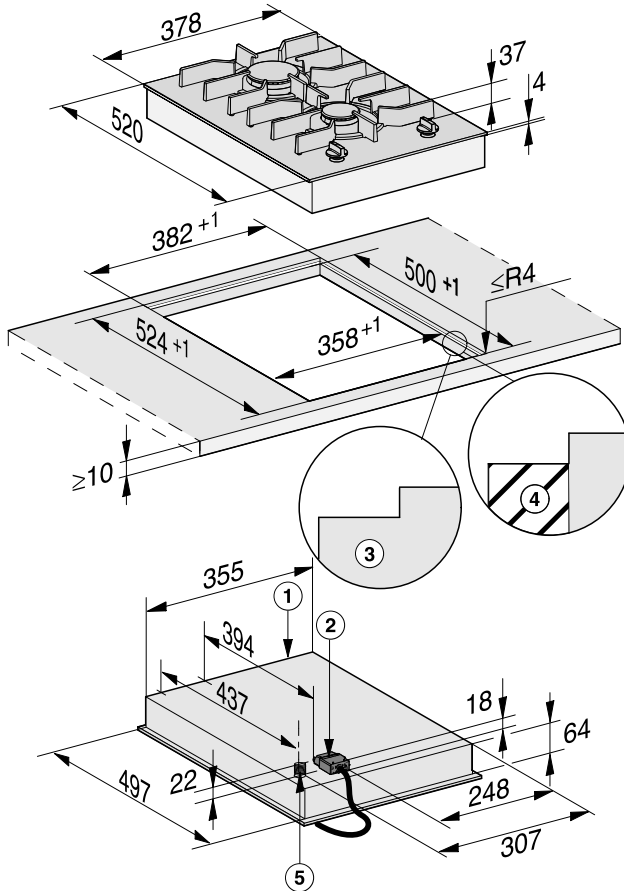
---

## Installation dimensions – Flush

All dimensions in this instruction booklet are given in mm.

### Distances from burner to the edge of the appliance





- ① Front
- ② Mains connection box with mains connection cable, L = 2000 mm
- ③ Stepped cut-out (for detailed illustrations, see “Installation – Worktop cut-out – flush-fit”)
- ④ 12 mm wooden frame (not supplied, for detailed illustrations, see “Installation – Worktop cut-out – flush-fit”)
- ⑤ Gas connection R ½ ISO 7-1 (DIN EN 10226)

# Installation

## Installation – flush-fit

### Preparing the worktop

- Create the worktop cut-out.  
Remember to maintain the minimum safety distances (see "Installation – Safety distances").
- Seal the cut surfaces of **wooden worktops** with a suitable sealant to avoid swelling caused by moisture. The sealant must be heat-resistant.

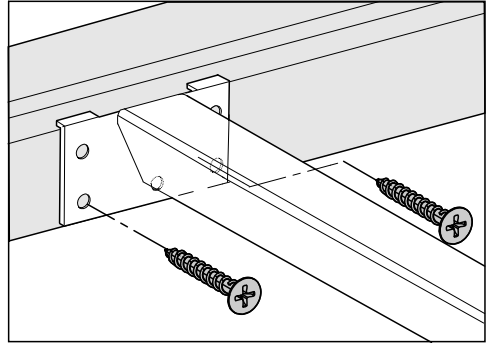
Make sure the sealant does not come into contact with the top surface of the worktop.

- For wooden worktops, secure the wooden frames 5.5 mm below the upper edge of the worktop. For CS 7611 FL, the wooden frame must be secured 7 mm under the upper edge of the worktop.

### Fitting the spacer bars

Use the middle screw holes if one of the following SmartLine appliances is installed to the right or left of the spacer bar: CS 7611, CS 7641, CS 7101(-1), CS 7102(-1)

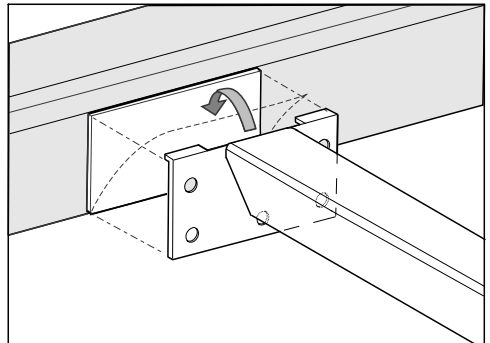
### Wooden worktops



- Position the spacer bars flush onto the lower step of the stepped cut-out.
- Secure the spacer bars with the 3.5 x 25 mm wood screws supplied.

### Granite and marble worktops

You will need heavy-duty double-sided tape (not supplied) to secure the spacer bars.



- Stick the tape onto the lower step of the stepped cut-out.
- Position the spacer bars flush onto the lower step of the stepped cut-out.
- Press the spacer bars firmly into place.



## Installing the SmartLine appliance

- Stick the supplied sealing strip under the edge of the SmartLine appliance. Do not apply the sealing strip under tension.
- Feed the mains connection cable down through the worktop cut-out.
- Position the SmartLine appliance in the worktop cut-out. When doing this, make sure that the seal of the appliance sits flush with the worktop on all sides. This is important to ensure an effective seal with the worktop.
- Connect the SmartLine appliance to the mains electrical supply.
- If required, connect the SmartLine appliance to the gas supply (see “Installation – Gas connection”).
- Check that the SmartLine appliance works.
- Seal the gaps between the individual SmartLine appliances and between the appliances and the worktop with a silicone sealant that is heat-resistant to at least 160 °C.

Unsuitable sealant can damage natural stone.


For natural stone worktops and natural stone tiles, only use silicone sealant that is specially formulated for natural stone. Please follow the manufacturer's instructions.

## Checking operation

- After installation, ignite all burners to check that they are operating correctly:
  - The flame must not go out on the lowest setting, or when the control is turned quickly from the highest to the lowest setting.
  - On the highest setting, the flame must have a distinctive and visible core.

# Installation

## Gas connection

 Risk of explosion due to an incorrect gas connection.

If the gas connection is carried out incorrectly, it may result in gas leakage.

Connection to the gas supply must only be undertaken by an authorised and registered gas installer in strict accordance with current local and national safety and building regulations. The installer is responsible for ensuring that the appliance functions correctly when installed.

 Risk of explosion due to an incorrect conversion.

If the conversion to another type of gas is carried out incorrectly, it may result in gas leakage.

Conversion from one type of gas to another must only be undertaken by an approved and registered gas installer in strict accordance with current local and national safety and building regulations. The installer is responsible for ensuring that the appliance functions correctly when installed.

The gas connection must be installed so that connection can be made either from inside or outside the kitchen furniture unit. Every appliance must have its own isolating valve. The isolating valve must be easily accessible and visible (by opening the cabinet door if necessary).


Check with your local gas supplier about the type of gas supplied and compare this information with the type of gas quoted on the appliance's data plate.

The cooktop is not connected to an exhaust flue.

When installing and connecting the appliance, please observe the relevant regulations and ensure it has adequate ventilation once installed.


The gas connection must be made in accordance with national and local regulations.

Special provisions of the local gas supplier as well as building regulations must also be observed.

 Risk of heat damage.

Gas connections, gas hoses or pipes and mains connection cables can be damaged if exposed to heat from the cooktop.

After installation make sure that neither the gas hose/pipe nor the mains cable can come into contact with hot parts of the appliance and that the gas hose/pipe and connections on the cooktop cannot come into contact with hot exhaust fumes.

 Risk of explosion due to damaged gas hoses and pipes. Gas can leak from damaged flexible gas hoses.

Attach flexible gas hoses in such a way that the hose assembly is not exposed to high temperatures exceeding the maximum recommended by the hose manufacturer, subjected to strain, kinking, permanent deformation or damage by vermin.

Connect the cooktop to the gas supply in accordance with national and local regulations. Check the gas connection for any leaks.

The gas pressure must be set by an approved gas fitter and a full operational test and a test for possible leakages must be carried out by the gas fitter after installation.

Depending on country of destination, this appliance is set up for connection to natural gas or ULPG. See adhesive label on the appliance:

- G = NG (natural gas)
- LP = ULPG (Propane/Butane)

Depending on country of destination, jets are supplied for conversion to a different type of gas. If the appropriate jets have not been supplied with the appliance, you will need to contact Miele. Conversion to another type of gas is described in the section “Conversion to another type of gas”.

### Connecting the cooktop

The cooktop is supplied with a 1/2" threaded gas connection. There are two connection options:

- Fixed connection.
- Flexible hose class B or D which complies with AS/NZS 1869 and must be certified. The minimum inner diameter (Ø) must be 10 mm and the maximum length 1200 mm.

 Risk of explosion due to gas leakage.

Unsuitable sealant will not ensure the required leak protection for connections.

Ensure that a suitable sealant is used.

# Installation

## Setting the gas pressure

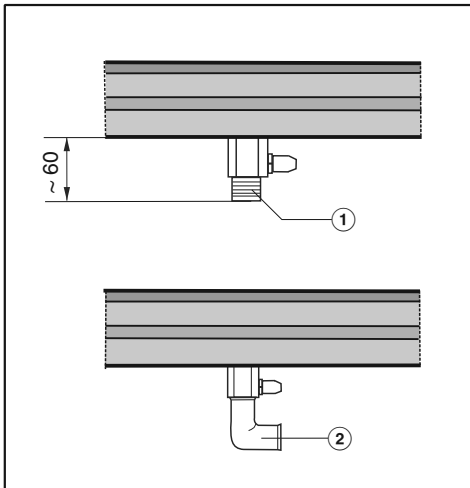
The gas pressure must be set by the authorised gas fitter as shown on the data plate:

Natural gas 1.0 kPa

ULPG (Propane/Butane) 2.75 kPa

The gas pressure must be set with the largest burner operating at maximum setting.

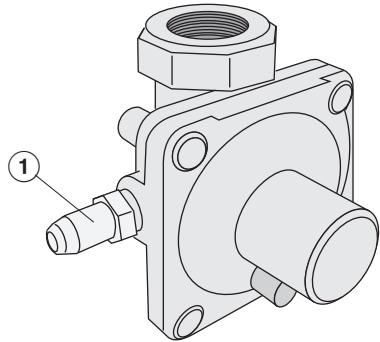
## For ULPG models



- ① Connection R 1/2" with test point
- ② Connection R 1/2" with test point and 90° angle  
When using a 90° angle the building-in depth will increase to the depth of the elbow used.

## For natural gas models

The gas regulator is only included with appliances which are set up for connection to natural gas. The regulator must be connected directly to the appliance.



### ① Pressure Test Point

- Loosen the screw in the test point until it is free in its housing. The screw is retained in this position.
- Connect the hose from the pressure gauge.
- Reassemble one of the large burners, turn on the gas and manually light the burners.
- Disconnect the hose from the pressure gauge and screw in the test point screw.
- For natural gas models: Connect the gas regulator directly to the appliance.

## Electrical connection

We recommend that you connect the SmartLine appliance to the mains via a suitable switched electrical socket. This simplifies servicing. The socket must be easily accessible after the SmartLine appliance has been installed.

### Danger of injury!

Installation, repairs and other work by unqualified persons could be dangerous. Miele cannot be held liable for unauthorised work. Miele cannot be held liable for damage or injury (e.g. electric shock) caused by the lack of or inadequacy of an on-site earthing system.

If the plug is removed from the connection cable or if the cable is supplied without a plug, the SmartLine appliance must be connected to the electricity supply by a suitably qualified electrician. If the socket is no longer accessible, or if a hard-wired connection is planned, an additional means of disconnection must be provided for all poles in accordance with the wiring rules. Suitable means of disconnection include switches with an all-pole contact gap of at least 3 mm. These include miniature circuit breakers, fuses and relays. The connection data can be found on the data plate. Please ensure this information matches the household mains electricity supply.

After installation, ensure that all electrical components are shielded and cannot be accessed by users.

## Total power output

See data plate.

## Connection data

The connection data is given on the data plate. Please ensure this information matches the household mains supply.

## Residual current device

For extra safety, it is advisable to protect the SmartLine appliance with a suitable residual current device (RCD) with a trip range of 30 mA.

## **WARNING** **THIS APPLIANCE MUST BE** **EARTHED**

## Replacing the mains connection cable

### Danger of electric shock!

Incorrect connection to the electricity supply may result in an electric shock.

The mains connection cable must only be replaced in accordance with current local and national safety regulations.

When replacing the mains connection cable, it must be replaced with cable type H 05 VV-F by a Miele authorised service technician or a suitably qualified and competent electrician in order to avoid a hazard. These cables are available from Miele.

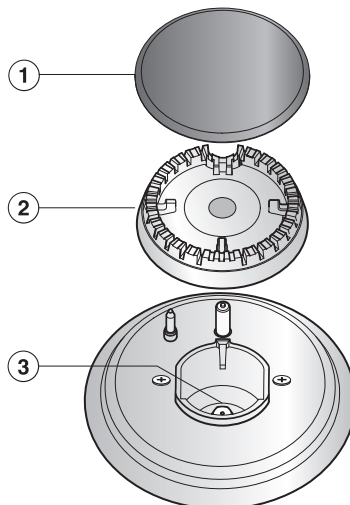
## Conversion to another type of gas

 Risk of explosion due to an incorrect conversion.

If the conversion to another type of gas is carried out incorrectly, it may result in gas leakage.

Conversion from one type of gas to another must only be undertaken by an authorised and registered gas installer in strict accordance with current local and national safety and building regulations. The installer is responsible for ensuring that the appliance functions correctly when installed. Disconnect the cooktop from the electricity supply and turn off the gas supply.

### Changing the main jets



- Remove the pan support, burner cap ① and burner head ②.
- Using an M7 socket spanner, unscrew the main jet ③.
- Fit the correct jets securely (see jet table).
- Secure the jets against inadvertent loosening with sealing wax.

### Jet table

The jet markings refer to a  $\frac{1}{100}$  mm bore diameter.

	Ø	
	Main jet	Small jet
<b>Natural gas</b>		
Semi-rapid burner	1.10	0.52
Rapid burner	1.43	0.60
<b>ULPG</b>		
Semi-rapid burner	0.66	0.27
Rapid burner	0.81	0.39

### Changing the jets

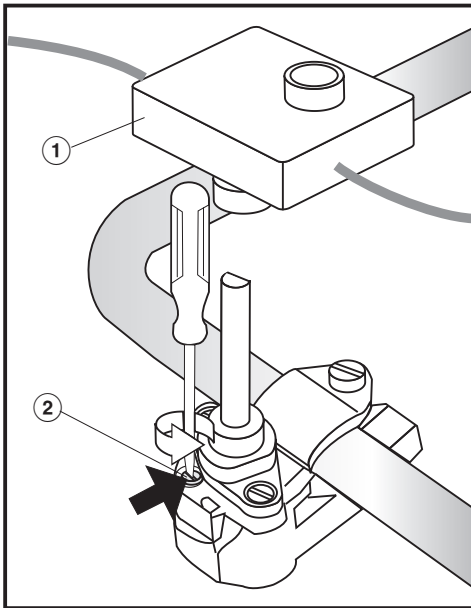
- Disconnect the cooktop from the electricity supply and turn off the gas supply.

When converting to another type of gas, both the main **and** small jets need to be changed.

## Conversion to another type of gas

### Changing the small jets

- Remove the burner components.
- Loosen the fixing screws on the burners.
- Pull the control knobs off.
- Loosen the fixing nuts on the underside of the appliance.
- Carefully remove the underside of the appliance.



- Remove the ignition switch ①.
- Using a small screwdriver, unscrew the small jet ② in the gas fitting.
- Pull out the jet with a pair of pliers.
- Fit the correct jets securely (see jet table).
- Secure the jets against inadvertent loosening with sealing wax.

### Checking operation

- Check all gas fittings for leaks.
- Reassemble the cooktop.
- Ignite all burners to check that they are operating correctly.
  - The flame must not go out on the lowest setting, or when the control is turned quickly from the highest to the lowest setting.
  - On the highest setting, the flame must have a distinctive and visible core.
- Adhere the label supplied with the jets over the old label stating the type of gas being used.