

## Safety instructions for installation

 Risk of damage from incorrect installation.

Incorrect installation can cause damage to the SmartLine appliance.

The SmartLine appliance must only be installed by a suitably qualified and competent person.

 Damage from falling objects.

Take care not to damage the SmartLine appliance when fitting wall units above it.

Fit the wall units before the SmartLine appliance.

▶ After installation, the mains connection cable of the SmartLine appliance must not come into contact with any moving kitchen component (e.g. a drawer) or be subject to mechanical loads which could damage it.

▶ Combination with gas appliances

Only Miele CS 7xxx gas appliances may be installed next to the downdraft extractor.

▶ Carefully observe the safety clearances listed on the following pages.

▶ All pipework, ducting and fittings must be of non-flammable material and comply with all relevant national and local building regulations.

▶ The appliance must not be connected to a chimney or vent flue which is in current use for exhausting fumes from appliances burning gas or other fuels. Neither should it be connected to ducting which ventilates rooms with fireplaces.

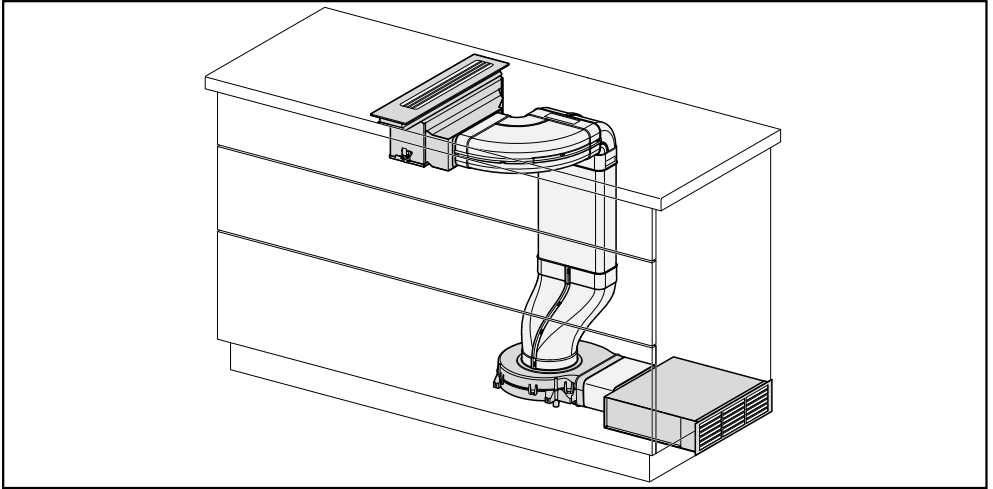
▶ If exhaust air is to be extracted into a chimney or ventilation duct no longer used for other purposes, seek professional advice.

# Installation

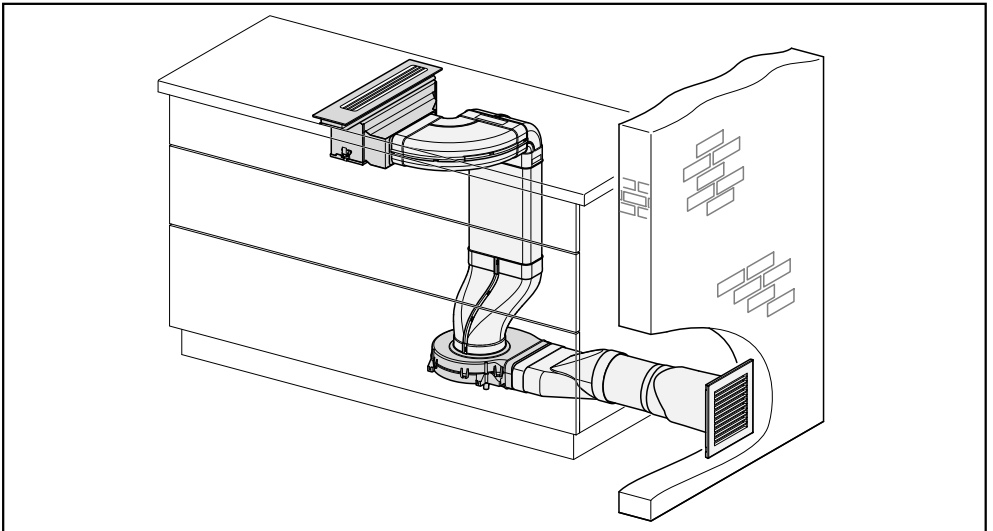
---

## Installation examples

Recirculation mode



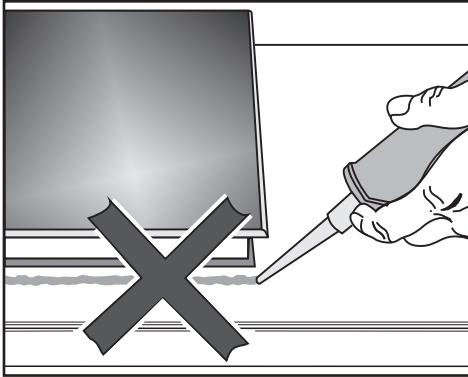
Air extraction mode



## Surface-mounted

### Installation notes – surface-mounted

#### Sealing between the SmartLine appliance and the worktop

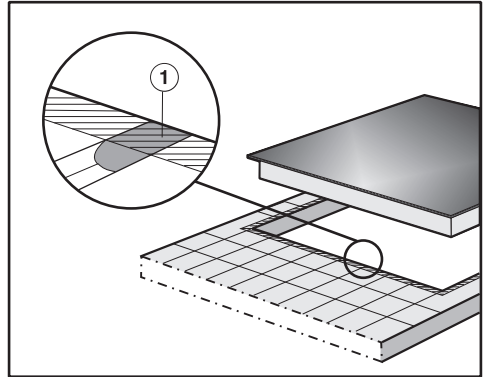


The SmartLine appliance and worktop may be damaged if the appliance needs to be removed after it has been sealed with a sealant.

Do not use any sealant between the SmartLine appliance and the worktop.

The sealing strip under the edge of the top part of the appliance provides a sufficient seal for the worktop.

## Tiled worktop



Grout lines ① and the hatched area underneath the SmartLine appliance frame must be smooth and even. If they are not, the SmartLine appliance will not sit flush with the worktop and the sealing strip underneath the top part of the appliance will not provide a good seal between the appliance and the worktop.

### Sealing strip

Dismantling the SmartLine appliance for service purposes may damage the sealing strip underneath the edge of the SmartLine appliance.

Always replace the sealing strip before reinstalling the cooktop.

# Installation

---

## Installing several SmartLine appliances

The gaps between the individual SmartLine appliances must be sealed with a silicone sealant that is heat-resistant to at least 160 °C. With flush-fit installation, the gap between the SmartLine appliance(s) and the worktop must also be sealed with a silicone sealant that is heat-resistant to at least 160 °C.

After installation, the SmartLine appliances must be easily accessible from below, so that the bottom half of the casing can be removed for maintenance. If the SmartLine appliances are not accessible from below, the sealant must be removed so that they can be removed.

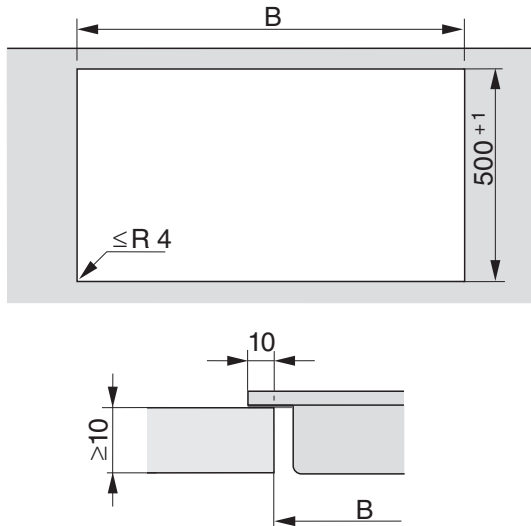
## Worktop depth

The downdraft extractor can be installed with the connector for the air duct on either the right or the left-hand side.

Minimum worktop depth for

- right connector 600 mm
- left connector 665 mm

## Worktop cut-out – surface-mounted



### Information for calculating the cut-out

The appliances overlap the worktop by 10 mm.

When installing several appliances, a distance of 2 mm must be observed between the individual appliances.

#### Calculating cut-out dimension **B**


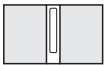
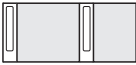
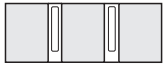



1 appliance = width of the appliance minus 10 mm on the right, minus 10 mm on the left

Several appliances = total width of the appliances plus 2 mm distance between the appliances, minus 10 mm on the right, minus 10 mm on the left.







Some examples are illustrated below.

# Installation

## Installation with a downdraft extractor

Sample combinations	Number x width [mm]		Dimension B [mm]
	Cooking appliances	Downdraft extractor	
	1 x 378	1 x 120	480 <sup>+1</sup>
	2 x 378	1 x 120	860 <sup>+1</sup>
	1 x 378 1 x 620	2 x 120	1224 <sup>+1</sup>
	3 x 378	2 x 120	1362 <sup>+1</sup>
	2 x 378 1 x 620	2 x 120	1604 <sup>+1</sup>
	4 x 378	2 x 120	1742 <sup>+1</sup>
	1 x 620	2 x 120	844 <sup>+1</sup>

**Installation without a downdraft extractor**

Sample combinations	Number x width [mm] Cooking appliances	Dimension B [mm]
	1 x 378	358 <sup>+1</sup>
	2 x 378	738 <sup>+1</sup>
	1 x 378 1 x 620	980 <sup>+1</sup>
	3 x 378	1118 <sup>+1</sup>
	2 x 378 1 x 620	1360 <sup>+1</sup>
	4 x 378	1498 <sup>+1</sup>

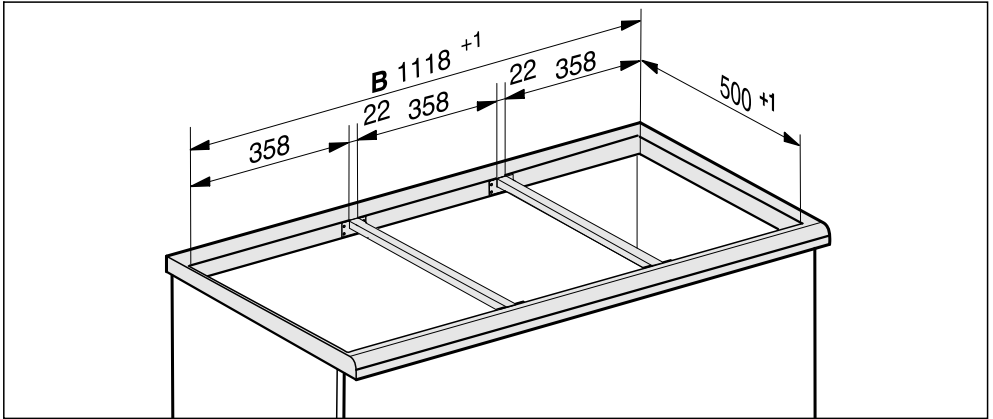
## Installation

### Spacer bars – surface-mounted

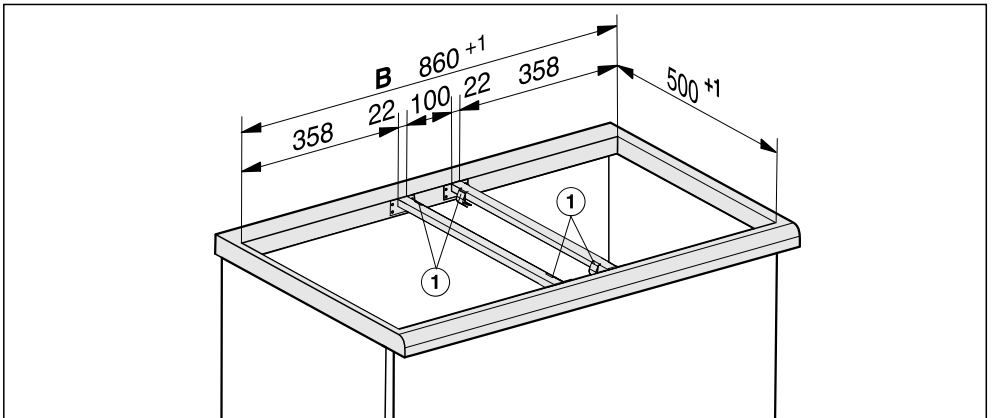
When installing several SmartLine appliances, an additional spacer bar must be fitted in between the individual appliances.

The clips supplied with the spacer bars are only required for installing a CSDA 700x FL.

Installing 3 appliances and 2 spacer bars



### Spacer bars for the downdraft extractor – surface-mounted

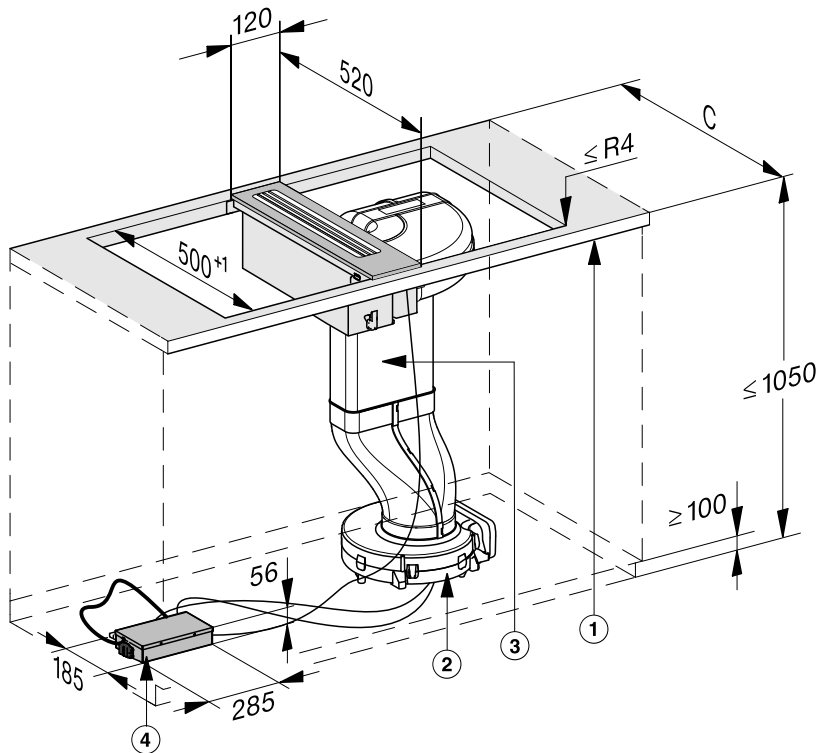


① Brackets



## Installation dimensions – Surface-mounted

All dimensions in this instruction booklet are given in mm.

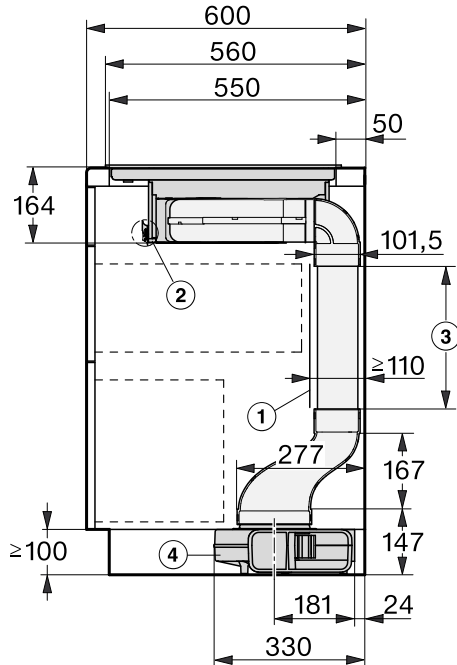


- ① Front
- ② Fan (in the plinth on the floor)
- ③ Air duct
- ④ E-box

# Installation

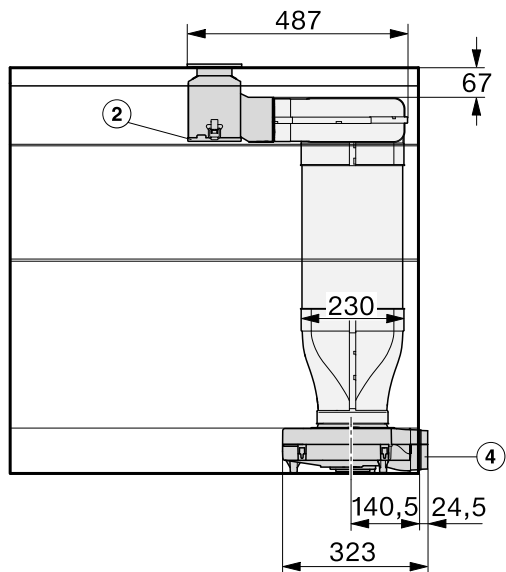
## Air duct dimensions – surface-mounted – worktop depth 600 mm

### Side view

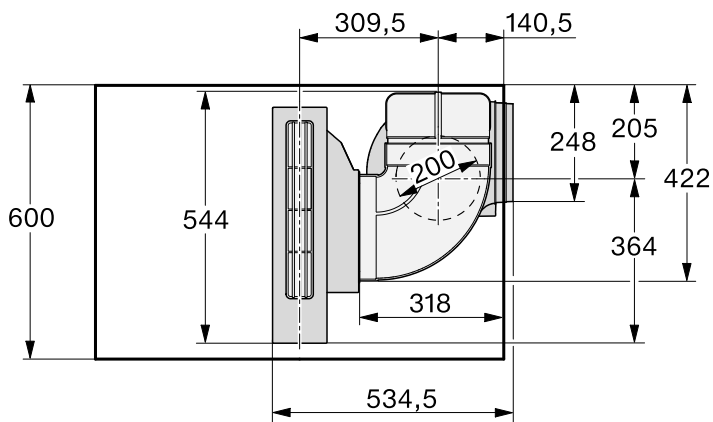


- ① For maintenance work, it must be possible to remove the rear cabinet wall. The cabinet wall and an adjoining room wall or a piece of furniture must be at least 110 mm apart to ensure sufficient room for the exhaust ducting.
- ② After installation, the removable moisture collection tray must be accessible from below. Two quick-release catches have to be opened to remove the tray.
- ③ Duct length must be adapted to the height of the base unit. Standard delivery 500 mm
- ④ Plinth fan

## Front view



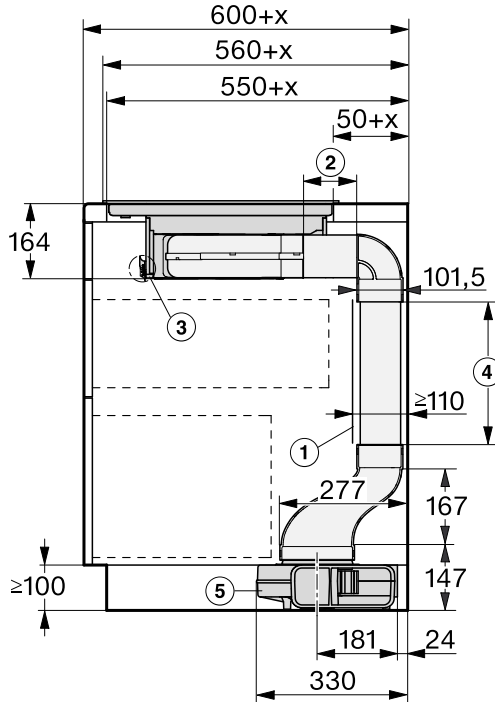
## View from above



## Installation

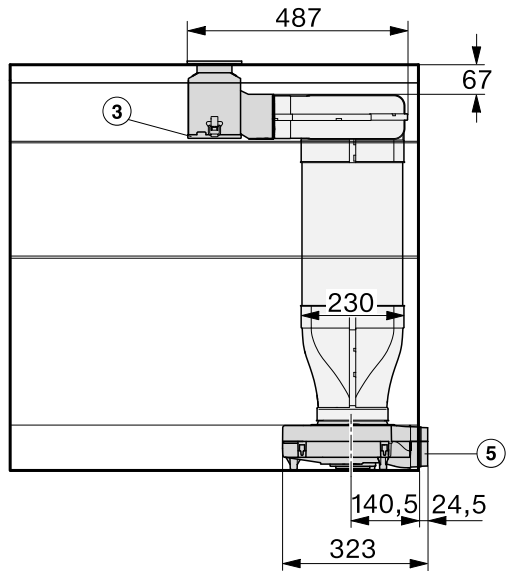
### Air duct dimensions – surface-mounted – worktop depth greater than 600 mm

#### View from the side – right air duct connection

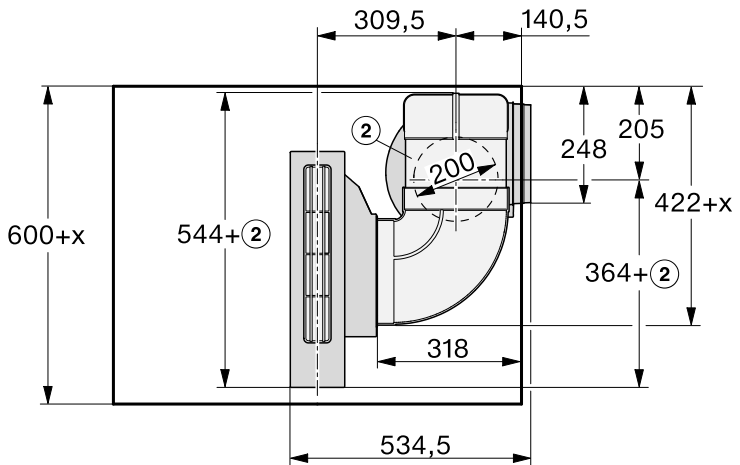


- ① For maintenance work, it must be possible to remove the rear cabinet wall. The cabinet wall and an adjoining room wall or a piece of furniture must be at least 110 mm apart to ensure sufficient room for the exhaust ducting.
  - ② Variable length of middle section
  - ③ After installation, the removable moisture collection tray must be accessible from below. Two quick-release catches have to be opened to remove the tray.
  - ④ Duct length must be adapted to the height of the base unit. Standard delivery 500 mm
  - ⑤ Plinth fan
- x Dimension of which the worktop is deeper than 600 mm.

## View from the front – right air duct connection



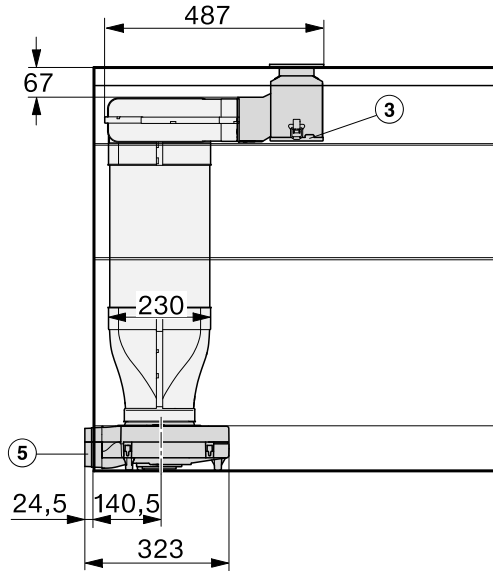
## View from above – right air duct connection



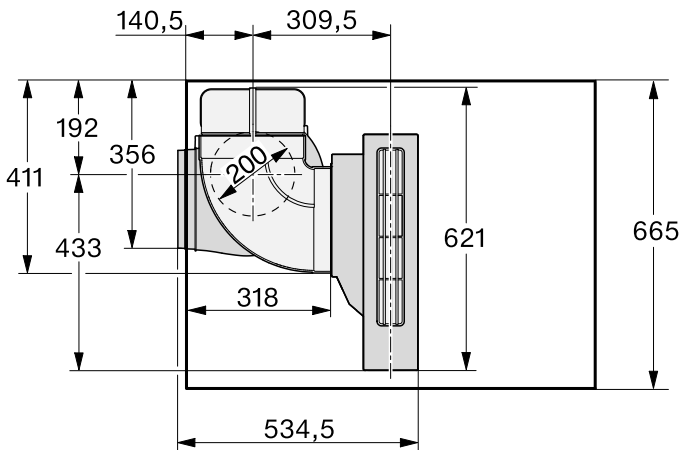
# Installation

If you want to install the air duct to the left of the downdraft extractor, the worktop must be at least 665 mm deep.

## View from the front – left air duct connection

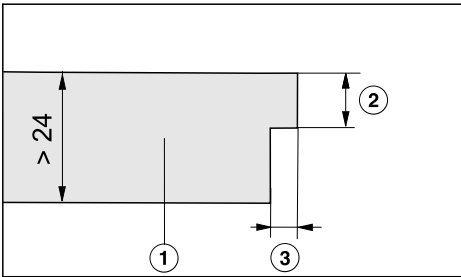


## View from above – left air duct connection



## Installation – surface-mounted

If the worktop is more than 24 mm deep, it must be cut out underneath on the building-in side on the right or left-hand side.

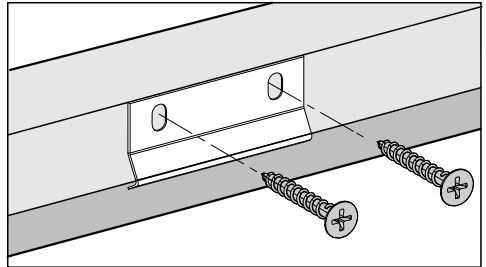


- ① Worktop
- ② Maximum 24 mm
- ③ 12 mm

### Securing the bracket

1 bracket (supplied with the spacer bar) must be secured centrally to the right or left-hand side of the cut-out.

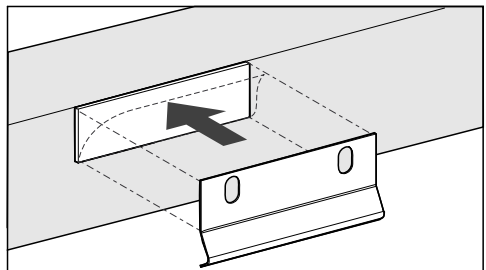
### Wooden worktops



- Fit the bracket so that it sits flush with the top edge of the worktop cut-out.
- Secure the bracket with the 3.5 x 25 mm wood screws supplied.

### Granite and marble worktops

You will need heavy-duty double-sided tape (not supplied) to secure the bracket.



- Stick the tape along the top edge of the worktop cut-out.
- Fit the bracket so that it sits flush with the top edge of the worktop cut-out.
- Press the bracket firmly into position.

# Installation

## Preparing the worktop

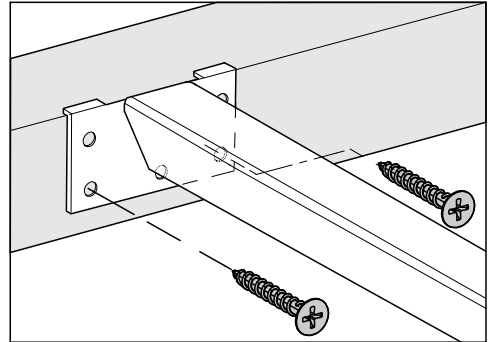
- Create the worktop cut-out.  
Remember to maintain the minimum safety distances (see "Installation – Safety distances").
- Seal the cut surfaces of **wooden worktops** with a suitable sealant to avoid swelling caused by moisture. The sealant must be heat-resistant.

Make sure the sealant does not come into contact with the top surface of the worktop.

## Fitting the spacer bars

Use the middle screw holes if one of the following SmartLine appliances is installed to the right or left of the spacer bar: CS 7611, CS 7641, CS 7101(-1), CS 7102(-1)

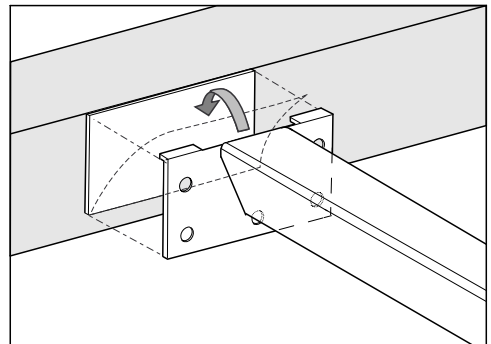
## Wooden worktops



- Position the spacer bars flush onto the upper edge of the cut-out.
- Secure the spacer bars with the 3.5 x 25 mm wood screws supplied.

## Granite and marble worktops

You will need heavy-duty double-sided tape (not supplied) to secure the spacer bars.

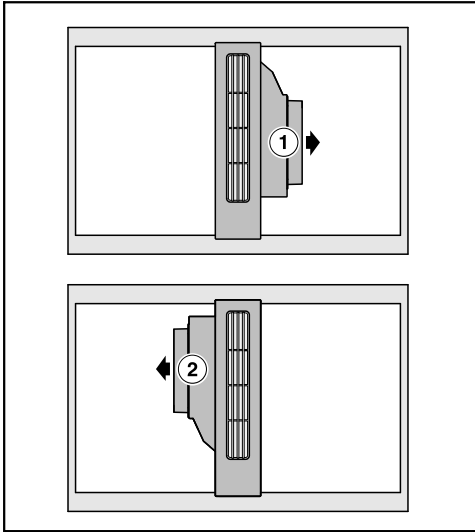


- Stick the tape along the top edge of the worktop cut-out.
- Position the spacer bars flush onto the upper edge of the cut-out.
- Press the spacer bars firmly into place.



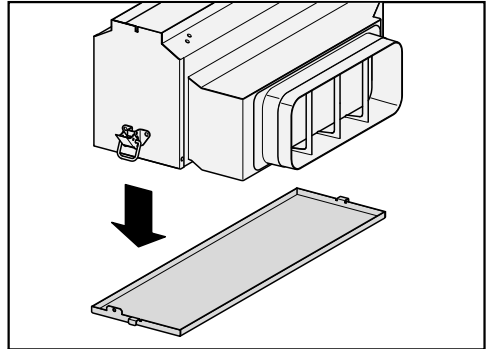
### Installing the downdraft extractor

The downdraft extractor can be installed with the connector for the air duct on either the right or the left-hand side.

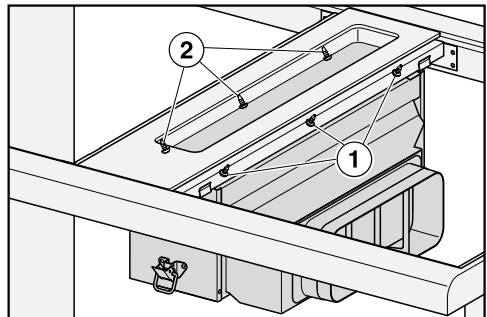


- ① Connector for air duct on the right
- ② Connector for air duct on the left

- Stick the supplied sealing strip under the edge of the cover. Do not apply the sealing strip under tension.
- Fit the clips onto the spacer bars.
- Guide the control cable downwards between the spacer bars.
- Fit the cover onto the spacer bars.



- Remove the drip tray from the casing.

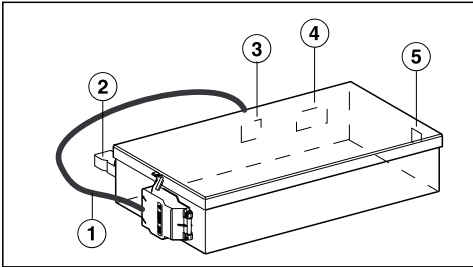


- Fasten the casing from the inside with the screws ① on the right and left ② sides (3 in each case).
- Fasten the drip tray.
- Mount the air duct.

Ensure that the air duct is not under mechanical tension after installation.

# Installation

## E-box



- ① Mains connection cable
- ② Connection to window contact
- ③ Connection socket for the fan power cable
- ④ Connection socket for the fan control cable
- ⑤ Connection socket for the control unit cable

## Connection to window contact, if required

**⚠** The window contact is connected to the mains voltage. Danger of electric shock! Disconnect the downdraft extractor from the mains electricity supply before connecting the switching system.

The connection cable of the switching system must only be connected by a suitably qualified and competent electrician.

The connection cable of the switching system must be of the correct type and cross-sectional area in strict accordance with current national and local safety regulations and must not exceed 2.0 m in length.

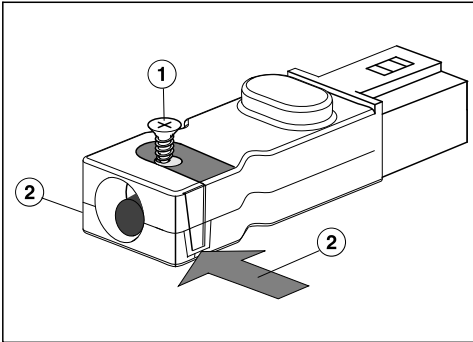
The switching system must be equipped with a potential-free contact suitable for 230 V, 1 A. The extractor is switched off when the switch is open.

Only use suitable switching systems (e.g. window contact switches, pressure switches).

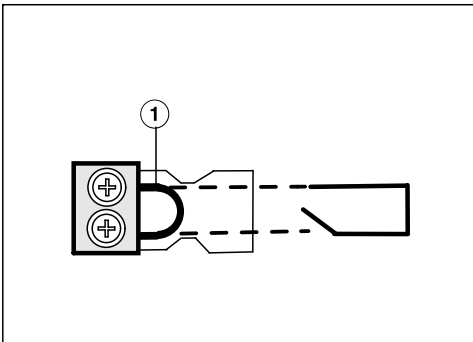
The switching system must be suitable for use with inductive loads (BLDC motor).

Use switching systems in strict accordance with current national and local safety regulations.

- Loosen the lug and pull the plug out.



- Loosen the strain relief screw ① and unlock the casing on both sides ②.
- Open the casing.
- Remove the stopper.



- Exchange the jumper ① with the connection cable of the switching system.
- Close the casing.
- Tighten the strain relief screw.
- Reinsert the plug.

## Connecting the e-box

- Connect the fan power cable and fan control cable to the e-box and the fan.
- Connect the control unit cable to the e-box.

The socket positions are designed in such a way that they cannot be mixed up.

- Connect the downdraft extractor to the mains electricity supply.
- Check that the downdraft extractor works.

## Sealing the gaps

- Seal the gaps between the individual SmartLine appliances, and between the flush-fit SmartLine appliances and the worktop, with a silicone sealant that is heat-resistant to at least 160 °C.

Unsuitable sealant can damage natural stone.

For natural stone worktops and natural stone tiles, only use silicone sealant that is specially formulated for natural stone.

Please follow the manufacturer's instructions.

# Installation

---

## Flush-fit

### Installation notes – flush-fit

Flush-fit installation is only possible in natural stone (granite, marble), solid wood and tiled worktops. For installation in worktops made of other materials, please consult the relevant manufacturer as to whether their worktops are suitable for flush-fit installation.

The internal width of the base unit underneath the appliance must be at least as wide as the inner worktop cut-out (see “Installation – Installation dimensions – Flush”), so that the SmartLine appliance is easily accessible from underneath after installation and the bottom half of the casing can be removed for maintenance. If the appliance is not freely accessible from below after installation, the sealant must be removed so that the appliance can be removed.

## Natural stone worktops

The SmartLine appliance is set directly in the cut-out.

## Solid wood worktops, tiled worktops, glass worktops

The SmartLine appliance is set on a wooden frame inside the cut-out. The frame must be provided on site and is not supplied with the appliance.

## Sealing strip

Dismantling the SmartLine appliance for service purposes may damage the sealing strip underneath the edge of the SmartLine appliance.

Always replace the sealing strip before reinstalling the cooktop.

## **Installing several SmartLine appliances**

The gaps between the individual SmartLine appliances must be sealed with a silicone sealant that is heat-resistant to at least 160 °C. With flush-fit installation, the gap between the SmartLine appliance(s) and the worktop must also be sealed with a silicone sealant that is heat-resistant to at least 160 °C.

After installation, the SmartLine appliances must be easily accessible from below, so that the bottom half of the casing can be removed for maintenance. If the SmartLine appliances are not accessible from below, the sealant must be removed so that they can be removed.

## **Worktop depth**

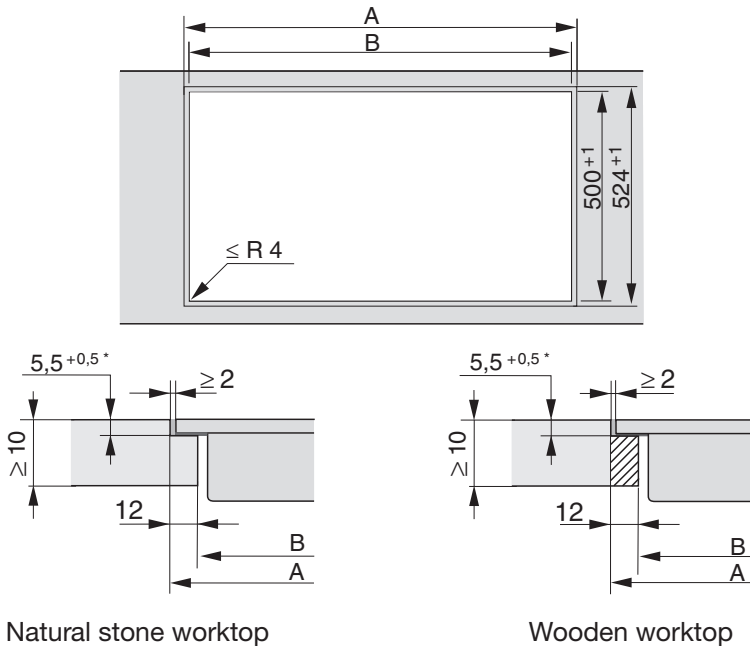
The downdraft extractor can be installed with the connector for the air duct on either the right or the left-hand side.

Minimum worktop depth for

- right connector 600 mm
- left connector 665 mm

# Installation

## Worktop cut-out – flush-fit



\*  $7^{+0.5}$  mm with CS 7611 FL

### Information for calculating the cut-out

The appliances overlap the stepped cut-out by 10 mm.

When installing several appliances, a distance of 2 mm must be observed between the individual appliances.

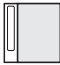
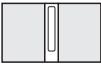





#### Calculating cut-out dimension **A**

1 appliance = width of the appliance plus 2 mm on the right, plus 2 mm on the left.  
 Several appliances = total width of the appliances plus 2 mm distance between the appliances, plus 2 mm on the right, plus 2 mm on the left

Calculating cut-out dimension **B** = cut-out dimension A minus 12 mm on the right, minus 12 mm on the left.







Some examples are illustrated below.

**Installation with a downdraft extractor**

Sample combinations	Number x width [mm]		Dimension A [mm]	Dimension B [mm]
	Cooking appliances	Downdraft extractor		
	1 x 378	1 x 120	504 <sup>+1</sup>	480 <sup>+1</sup>
	2 x 378	1 x 120	884 <sup>+1</sup>	860 <sup>+1</sup>
	1 x 378 1 x 620	2 x 120	1248 <sup>+1</sup>	1224 <sup>+1</sup>
	3 x 378	2 x 120	1386 <sup>+1</sup>	1362 <sup>+1</sup>
	2 x 378 1 x 620	2 x 120	1628 <sup>+1</sup>	1604 <sup>+1</sup>
	4 x 378	2 x 120	1766 <sup>+1</sup>	1742 <sup>+1</sup>
	1 x 620	2 x 120	868 <sup>+1</sup>	844 <sup>+1</sup>

# Installation

## Installation without a downdraft extractor

Sample combinations	Number x width [mm] Cooking appliances	Dimension A [mm]	Dimension B [mm]
	1 x 378	382 <sup>+1</sup>	358 <sup>+1</sup>
	2 x 378	762 <sup>+1</sup>	738 <sup>+1</sup>
	1 x 378 1 x 620	1004 <sup>+1</sup>	980 <sup>+1</sup>
	3 x 378	1142 <sup>+1</sup>	1118 <sup>+1</sup>
	2 x 378 1 x 620	1384 <sup>+1</sup>	1360 <sup>+1</sup>
	4 x 378	1522 <sup>+1</sup>	1498 <sup>+1</sup>

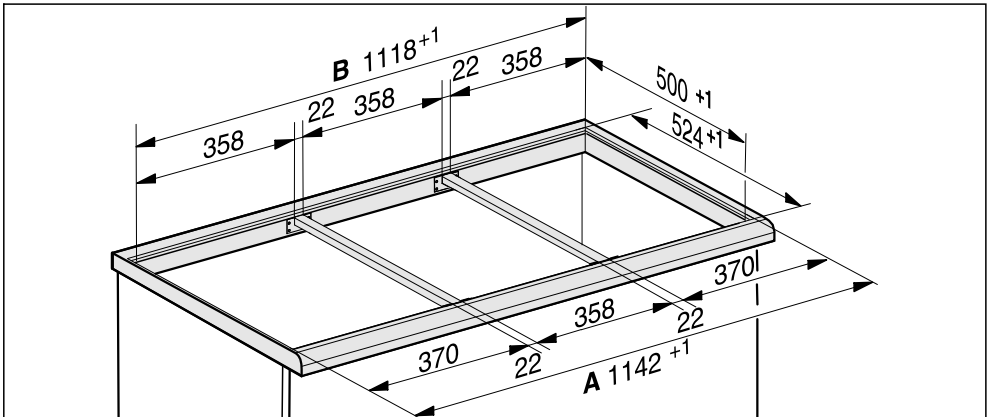


## Spacer bars – flush-fit

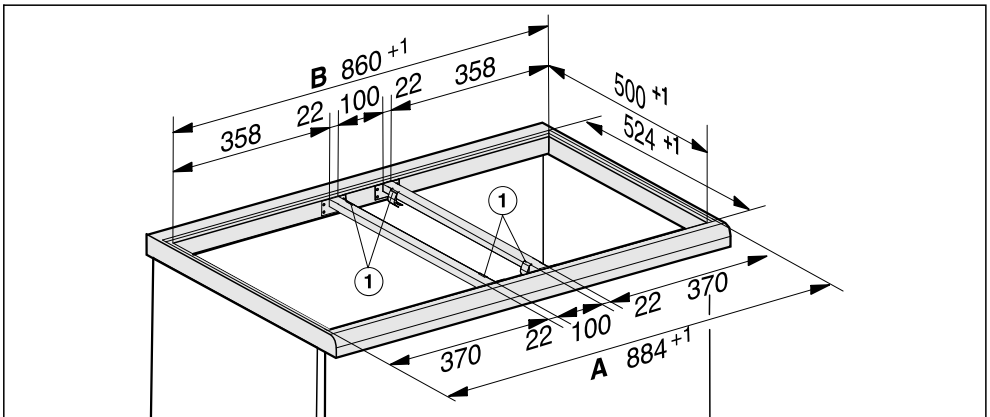
When installing several SmartLine appliances, an additional spacer bar must be fitted in between the individual appliances.

The clips supplied with the spacer bars are only required for installing a CSDA 700x FL.

Installing 3 appliances and 2 spacer bars



## Spacer bars for the downdraft extractor – flush-fit

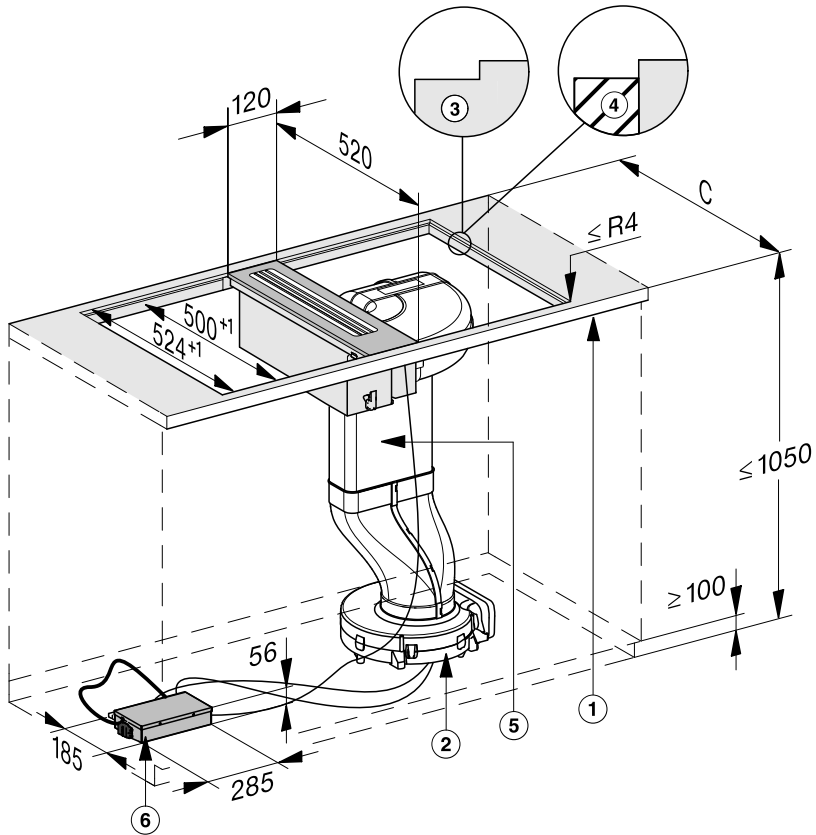


① Brackets

# Installation

## Installation dimensions – Flush

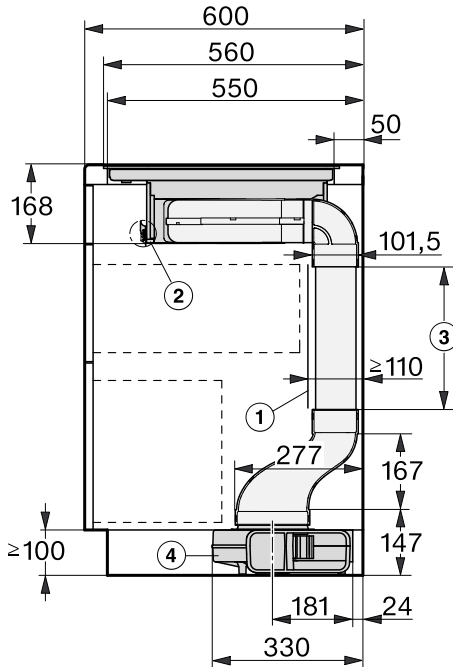
All dimensions in this instruction booklet are given in mm.



- ① Front
- ② Fan (in the plinth on the floor)
- ③ Stepped cut-out (for detailed illustrations, see “Installation – Worktop cut-out – flush-fit”)
- ④ 12 mm wooden frame (not supplied, for detailed illustrations, see “Installation – Worktop cut-out – flush-fit”)
- ⑤ Air duct
- ⑥ E-box

## Air duct dimensions – flush-fit – worktop depth 600 mm

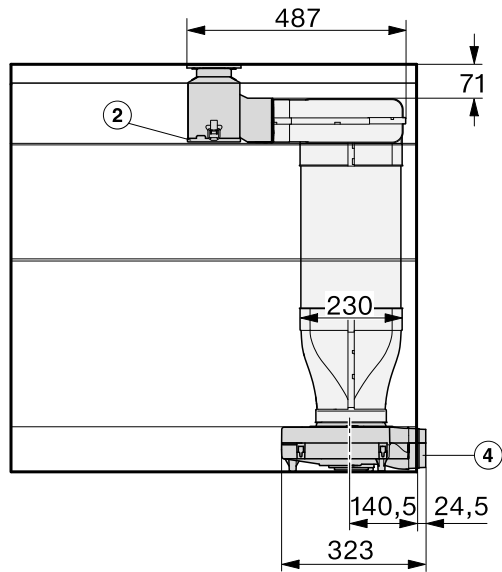
### Side view



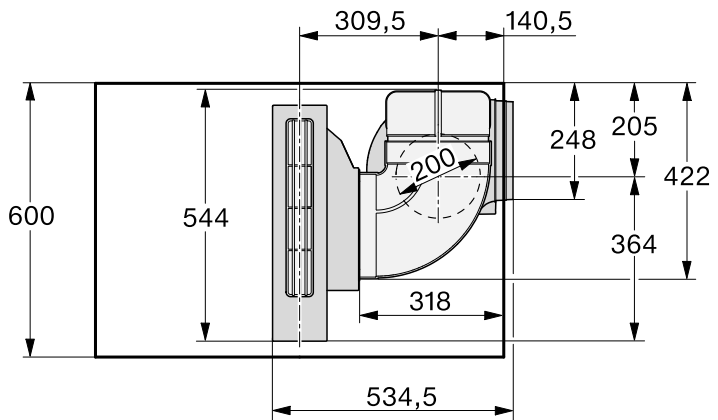
- ① For maintenance work, it must be possible to remove the rear cabinet wall. The cabinet wall and an adjoining room wall or a piece of furniture must be at least 110 mm apart to ensure sufficient room for the exhaust ducting.
- ② After installation, the removable moisture collection tray must be accessible from below. Two quick-release catches have to be opened to remove the tray.
- ③ Duct length must be adapted to the height of the base unit. Standard delivery 500 mm
- ④ Plinth fan

# Installation

## Front view

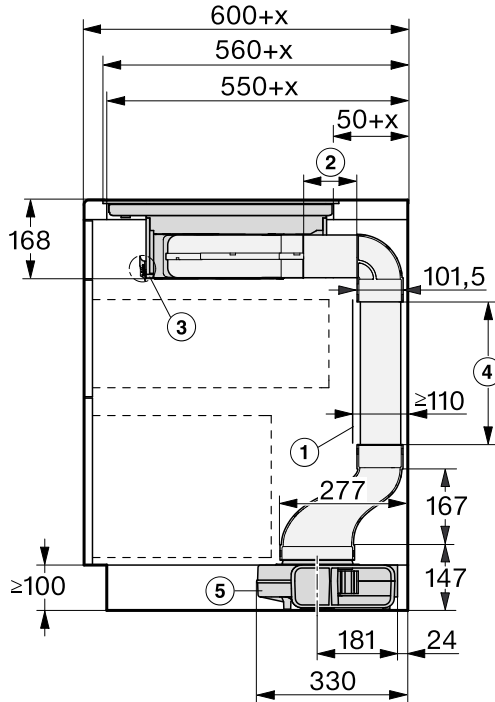


## View from above



## Air duct dimensions – flush-fit – worktop depth greater than 600 mm

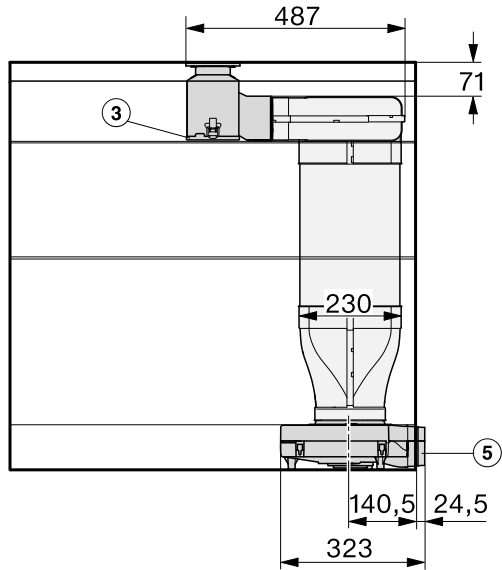
### View from the side – right air duct connection



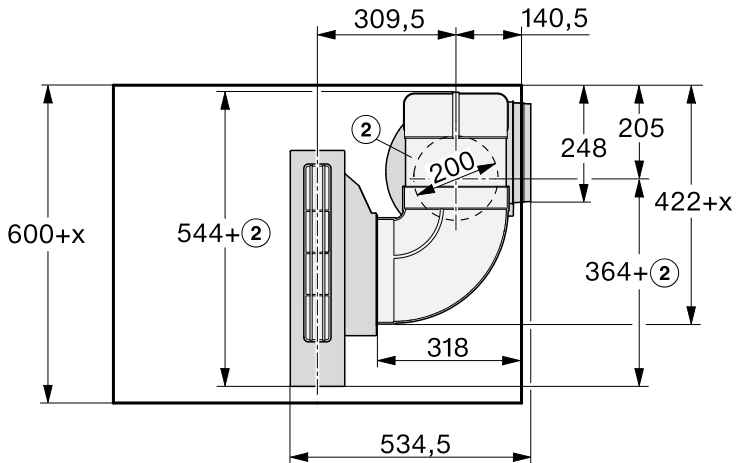
- ① For maintenance work, it must be possible to remove the rear cabinet wall. The cabinet wall and an adjoining room wall or a piece of furniture must be at least 110 mm apart to ensure sufficient room for the exhaust ducting.
  - ② Variable length of middle section
  - ③ After installation, the removable moisture collection tray must be accessible from below. Two quick-release catches have to be opened to remove the tray.
  - ④ Duct length must be adapted to the height of the base unit. Standard delivery 500 mm
  - ⑤ Plinth fan
- x Dimension of which the worktop is deeper than 600 mm.

# Installation

## View from the front – right air duct connection

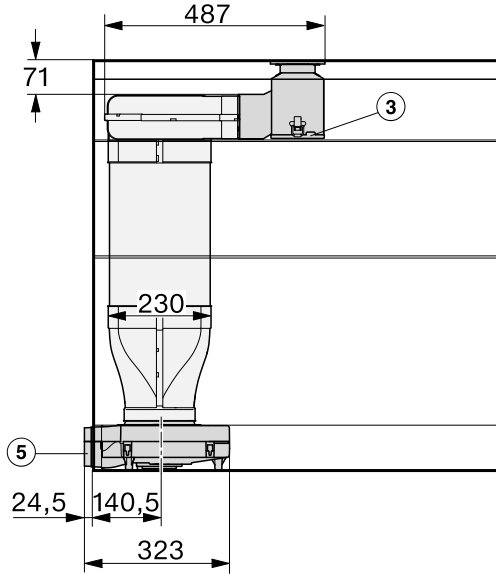


## View from above – right air duct connection

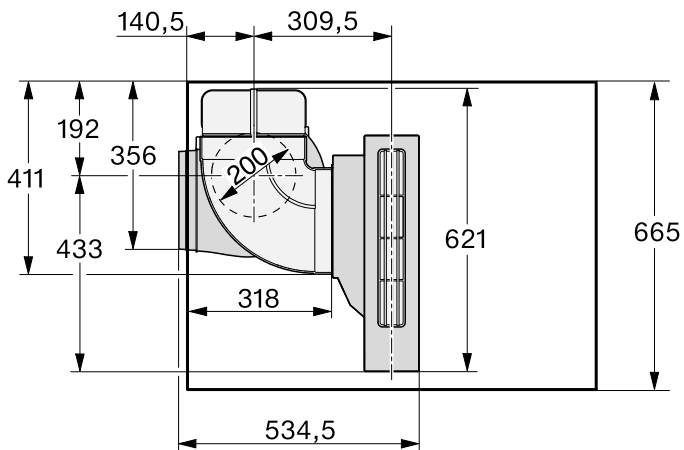


If you want to install the air duct to the left of the downdraft extractor, the worktop must be at least 665 mm deep.

### View from the front – left air duct connection



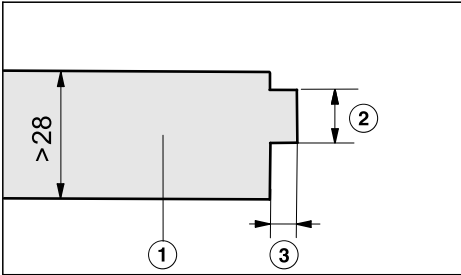
### View from above – left air duct connection



# Installation

## Installation – flush-fit

If the worktop is more than 28 mm deep, it must be cut out underneath on the building-in side on the right or left-hand side.

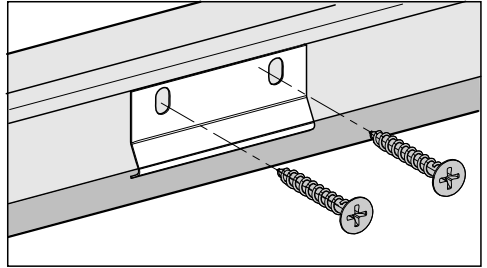


- ① Worktop
- ② Maximum 24 mm
- ③ 12 mm

### Securing the bracket

1 bracket (supplied with the spacer bar) must be secured centrally to the right or left-hand side of the cut-out.

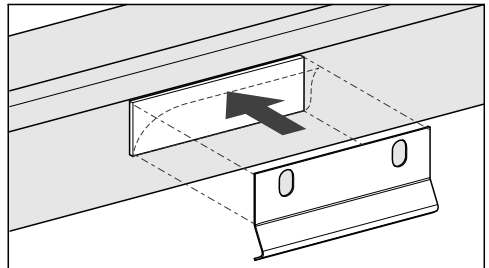
## Wooden worktops



- Fit the bracket so that it sits flush with the top edge of the lower step of the stepped cut-out.
- Secure the bracket with the 3.5 x 25 mm wood screws supplied.

## Granite and marble worktops

You will need heavy-duty double-sided tape (not supplied) to secure the bracket.



- Stick the tape onto the upper edge of the lower step of the stepped cut-out.
- Fit the bracket so that it sits flush with the top edge of the lower step of the stepped cut-out.
- Press the bracket firmly into position.



## Preparing the worktop

- Create the worktop cut-out.  
Remember to maintain the minimum safety distances (see "Installation – Safety distances").
- Seal the cut surfaces of **wooden worktops** with a suitable sealant to avoid swelling caused by moisture. The sealant must be heat-resistant.

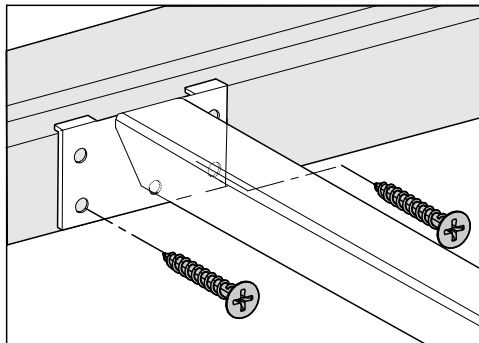
Make sure the sealant does not come into contact with the top surface of the worktop.

- For wooden worktops, secure the wooden frames 5.5 mm below the upper edge of the worktop. For CS 7611 FL, the wooden frame must be secured 7 mm under the upper edge of the worktop.

## Fitting the spacer bars

Use the middle screw holes if one of the following SmartLine appliances is installed to the right or left of the spacer bar: CS 7611, CS 7641, CS 7101(-1), CS 7102(-1)

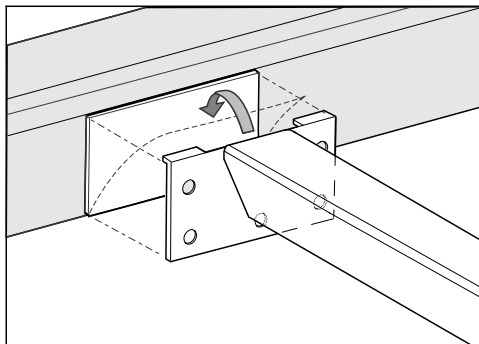
## Wooden worktops



- Position the spacer bars flush onto the lower step of the stepped cut-out.
- Secure the spacer bars with the 3.5 x 25 mm wood screws supplied.

## Granite and marble worktops

You will need heavy-duty double-sided tape (not supplied) to secure the spacer bars.

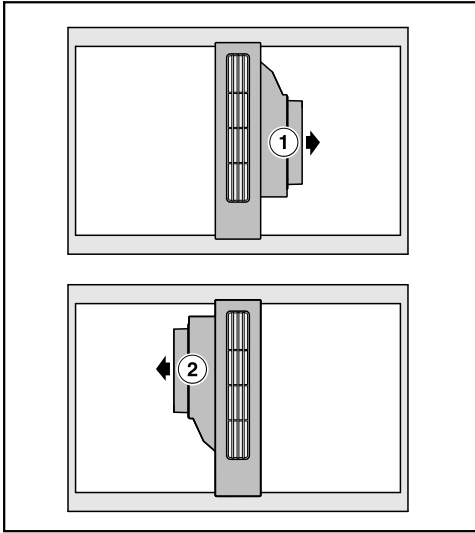


- Stick the tape onto the lower step of the stepped cut-out.
- Position the spacer bars flush onto the lower step of the stepped cut-out.
- Press the spacer bars firmly into place.

# Installation

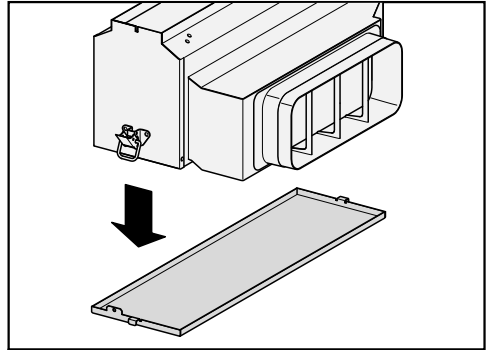
## Installing the downdraft extractor

The downdraft extractor can be installed with the connector for the air duct on either the right or the left-hand side.

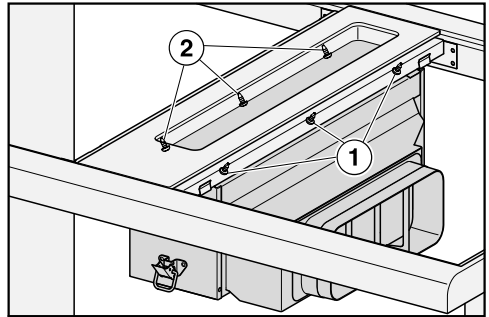


- ① Connector for air duct on the right
- ② Connector for air duct on the left

- Stick the supplied sealing strip under the edge of the cover. Do not apply the sealing strip under tension.
- Fit the clips onto the spacer bars.
- Guide the control cable downwards between the spacer bars.
- Fit the cover onto the spacer bars.

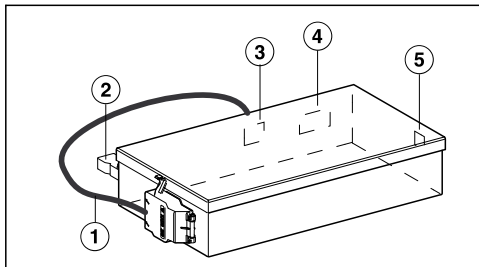


- Remove the drip tray from the casing.



- Fasten the casing from the inside with the screws ① on the right and left ② sides (3 in each case).
- Fasten the drip tray.
- Mount the air duct.

Ensure that the air duct is not under mechanical tension after installation.

**E-box**

- ① Mains connection cable
- ② Connection to window contact
- ③ Connection socket for the fan power cable
- ④ Connection socket for the fan control cable
- ⑤ Connection socket for the control unit cable

**Connection to window contact, if required**

**⚠** The window contact is connected to the mains voltage.

**Danger of electric shock!**

Disconnect the downdraft extractor from the mains electricity supply before connecting the switching system.

The connection cable of the switching system must only be connected by a suitably qualified and competent electrician.

The connection cable of the switching system must be of the correct type and cross-sectional area in strict accordance with current national and local safety regulations and must not exceed 2.0 m in length.

The switching system must be equipped with a potential-free contact suitable for 230 V, 1 A. The extractor is switched off when the switch is open.

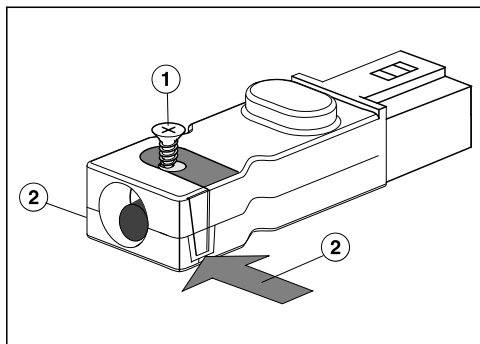
Only use suitable switching systems (e.g. window contact switches, pressure switches).

The switching system must be suitable for use with inductive loads (BLDC motor).

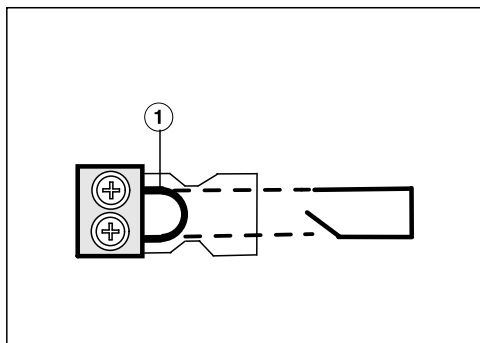
Use switching systems in strict accordance with current national and local safety regulations.

## Installation

- Loosen the lug and pull the plug out.



- Loosen the strain relief screw ① and unlock the casing on both sides ②.
- Open the casing.
- Remove the stopper.



- Exchange the jumper ① with the connection cable of the switching system.
- Close the casing.
- Tighten the strain relief screw.
- Reinsert the plug.

### Connecting the e-box

- Connect the fan power cable and fan control cable to the e-box and the fan.
- Connect the control unit cable to the e-box.

The socket positions are designed in such a way that they cannot be mixed up.

- Connect the downdraft extractor to the mains electricity supply.
- Check that the downdraft extractor works.

### Sealing the gaps


- Seal the gaps between the individual SmartLine appliances, and between the flush-fit SmartLine appliances and the worktop, with a silicone sealant that is heat-resistant to at least 160 °C.

Unsuitable sealant can damage natural stone.

For natural stone worktops and natural stone tiles, only use silicone sealant that is specially formulated for natural stone.

Please follow the manufacturer's instructions.

## Exhaust ducting

 Before installation, it is important to read the following information. This is particularly crucial when using the downdraft extractor at the same time as a heating appliance that relies on oxygen from the same room, which could result in the build-up of toxic fumes. It is particularly important that the “Warning and Safety instructions” are observed. The downdraft extractor should be installed according to local and national building regulations. Seek approval from the building inspector where necessary.

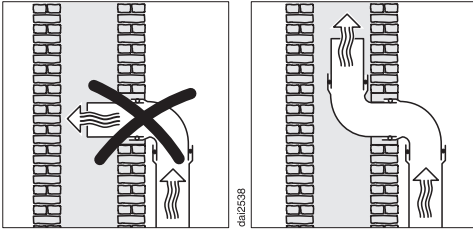
- For the rectangular ducting, Miele recommends not to exceed a maximum total ducting length of 5 m, with a maximum number of three bends.
- Only use wide radius bends.
- The exhaust ducting must not be kinked or compressed.
- Ensure that all connections are strong and airtight.

Remember that any constriction of the airflow will reduce extraction performance and increase operating noise.

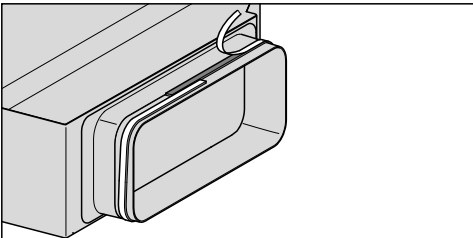
The downdraft extractor has an exhaust connection of 222 x 89 mm.

- In order to achieve optimum extraction or recirculation performance and low noise levels, Miele recommends the installation of a modular rectangular ducting system made from approved non-flammable materials.
- To achieve the most efficient air extraction with the lowest noise levels, please note the following:
  - The cross-section of the exhaust ducting must not be smaller than the cross-section of the exhaust connection (see the appliance dimensions).
  - The exhaust ducting should be as short and straight as possible.

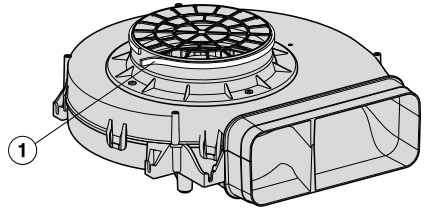
# Installation



- If the exhaust air is to be ducted into a flue, the ducting must be directed in the flow direction of the flue.
- If ducting is to be laid horizontally, it must be laid with a downwards sloping gradient. This is to ensure that condensate cannot drain back into the extractor.
- If the vent ducting is to run through rooms, ceiling space, etc. there may be great variations in temperature between the different areas. The problem of condensation will need to be addressed. The exhaust ducting will need to be suitably insulated.
- Ensure that the ducting can easily be disconnected from the exhaust connection in the event the appliance needs to be taken out of the worktop for service purposes.



- Stick the supplied sealing strip on the exhaust connection if the ducting does not sit securely up against the exhaust connection.



## ① Sealing tape

- Stick the sealing strip supplied to the fan connection.

## Electrical connection

We recommend that you connect the SmartLine appliance to the mains via a suitable switched electrical socket. This simplifies servicing. The socket must be easily accessible after the SmartLine appliance has been installed.

### Danger of injury!

Installation, repairs and other work by unqualified persons could be dangerous. Miele cannot be held liable for unauthorised work.

Miele cannot be held liable for damage or injury (e.g. electric shock) caused by the lack of or inadequacy of an on-site earthing system.

If the plug is removed from the connection cable or if the cable is supplied without a plug, the SmartLine appliance must be connected to the electricity supply by a suitably qualified electrician.

If the socket is no longer accessible, or if a hard-wired connection is planned, an additional means of disconnection must be provided for all poles in accordance with the wiring rules. Suitable means of disconnection include switches with an all-pole contact gap of at least 3 mm. These include miniature circuit breakers, fuses and relays. The connection data can be found on the data plate. Please ensure this information matches the household mains electricity supply.

After installation, ensure that all electrical components are shielded and cannot be accessed by users.

## Total power output

See data plate.

## Connection data

The connection data is given on the data plate. Please ensure this information matches the household mains supply.

## Residual current device

For extra safety, it is advisable to protect the SmartLine appliance with a suitable residual current device (RCD) with a trip range of 30 mA.

# Installation

---

## Replacing the mains connection cable



**Danger of electric shock!**

Incorrect connection to the electricity supply may result in an electric shock.

The mains connection cable must only be replaced in accordance with current local and national safety regulations.

When replacing the mains connection cable, it must be replaced with cable type H 05 VV-F by a Miele authorised service technician or a suitably qualified and competent electrician in order to avoid a hazard. These cables are available from Miele.